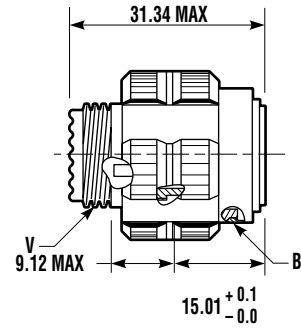
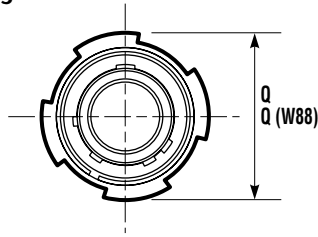


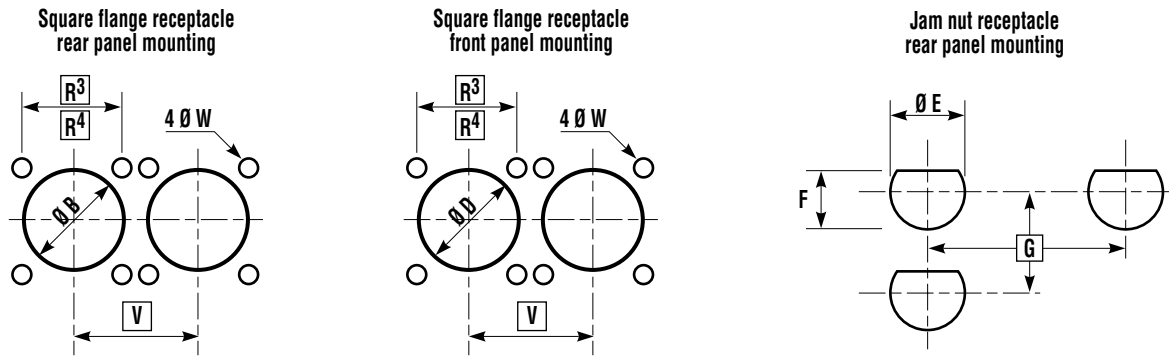
TV06RW JD38999/26W
 TVS06RF JD38999/26F
 TVS06RB
 TVS06RK JD38999/26K
 TVS06RS JD38999/26S
 Straight plug



Shell size		B Thread Class 2A 0.1P-0.3L-TS (mm)	Q Max (mm)	V thread metric	Q (W88)* (mm)
MIL-DTL-38999 Series III	Amphenol Socapex				
A	9	.6250	21.82	M12x1-6g	21.1
B	11	.7500	24.62	M15x1-6g	23.8
C	13	.8750	28.98	M18x1-6g	28.2
D	15	1.0000	32.16	M22x1-6g	31.4
E	17	1.1875	35.33	M25x1-6g	36.5
F	19	1.2500	38.10	M28x1-6g	39.3
G	21	1.3750	41.28	M31x1-6g	42.5
H	23	1.5000	44.45	M34x1-6g	45.3
J	25	1.6250	47.63	M37x1-6g	48.4

* Conforms to CECC 75.201.002

Panel drilling for composite and metallic receptacles



Shell size		R ³	R ⁴	V	Ø W	G	Ø E	F	Ø B	Ø D
MIL-DTL-38999 Series III	Amphenol Socapex	(mm)	(mm)	Mini (mm)	+0 -0.25 (mm)	Mini (mm)	Mini (mm)	+0 -0.25 (mm)	Mini (mm)	Mini (mm)
A	9	18.26	15.09	24.60	3.25	27.80	17.70	16.99	16.66	13.11
B	11	20.62	18.26	27.00	3.25	32.60	20.88	19.53	20.22	15.88
C	13	23.01	20.62	31.50	3.25	36.00	25.58	24.26	23.42	19.05
D	15	24.61	23.01	34.50	3.25	39.60	28.80	27.53	26.59	23.01
E	17	26.97	24.61	28.00	3.25	43.30	31.98	30.68	30.96	25.81
F	19	29.36	26.97	40.50	3.25	47.00	35.16	33.86	32.94	28.98
G	21	31.75	29.36	44.00	3.25	50.60	38.28	37.06	36.12	32.16
H	23	34.93	31.75	47.00	3.81	54.20	41.50	40.01	39.29	34.93
J	25	38.10	34.93	50.00	3.81	59.70	44.68	43.41	42.47	37.69