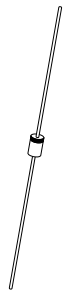




# Schottky Rectifiers

## 1.0 to 75 Amperes 20 to 100 Volts

$I_O$ (AMPS)	1.0		2.0	3.0
@ $T_L$ (°C)	100	75	75	95
$I_{FSM}$ (AMPS)	25	30	50	80
				
CASE	DO-41*		DO-15	DO-201AD
$V_{RRM}$ (VOLTS)				
20	1N5817	CRSH1-2	CRSH2-2	1N5820
30	1N5818	CRSH1-3	CRSH2-3	1N5821
40	1N5819	CRSH1-4	CRSH2-4	1N5822
50		CRSH1-5	CRSH2-5	
60		CRSH1-6	CRSH2-6	
80		CRSH1-8	CRSH2-8	
100		CRSH1-10	CRSH1-10	

$V_F$ MAX @ $I_F = I_O$				
20V	0.45V	0.50V	0.50V	0.475V
30V	0.55V	0.50V	0.50V	0.500V
40V	0.60V	0.50V	0.50V	0.525V
50V		0.70V	0.70V	
60V		0.70V	0.70V	
80V & 100V		0.85V	0.85V	

$I_R$ MAX @ $V_{RRM}$	1.0mA	0.5mA	0.5mA	2.0mA


\* Also available in DO-41SP Case (0.6mm lead diameter) with Radial Tape and Reel (DO-41SP-RPCU). See pages 239 thru 240.

(6-December 2004)

**Central**<sup>™</sup>  
Semiconductor Corp.  
www.centalsemi.com

# Schottky Rectifiers

(Continued)

$I_O$ (AMPS)	3.0	5.0		8.0
@ $T_A$ (°C)	25	25	25	25
$I_{FSM}$ (AMPS)	100	250	250	250
CASE	 DO-201AD			
$V_{RRM}$ (VOLTS)				
20	CRSH3-2	CN5823	CRSH5-2	CRSH8A-2
30	CRSH3-3	CN5824	CRSH5-3	CRSH8A-3
40	CRSH3-4	CN5825	CRSH5-4	CRSH8A-4
50	CRSH3-5		CRSH5-5	
60	CRSH3-6		CRSH5-6	
80	CRSH3-8			
100	CRSH3-10			

$V_F$ MAX @ $I_F = I_O$				
20V	0.50V MAX @ 3.0A	0.45V MAX @ 5.0A	0.57V MAX @ 5.0A	0.55V MAX @ 8.0A
30V	0.50V MAX @ 3.0A	0.45V MAX @ 5.0A	0.57V MAX @ 5.0A	0.55V MAX @ 8.0A
40V	0.50V MAX @ 3.0A	0.45V MAX @ 5.0A	0.57V MAX @ 5.0A	0.55V MAX @ 8.0A
50V	0.75V MAX @ 3.0A		0.70V MAX @ 5.0A	
60V	0.75V MAX @ 3.0A		0.70V MAX @ 5.0A	
80V	0.85V MAX @ 3.0A			
100V	0.85V MAX @ 3.0A			

$I_R$ MAX @ $V_{RRM}$	0.5mA	10mA	10mA	10mA

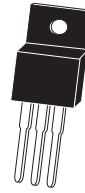
# Full Pak Schottky Rectifiers

TO-220FP

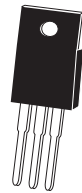
8.0 to 16 Amperes

40 to 100 Volts

**FULL  
PAK**



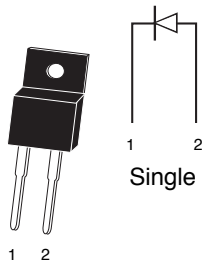
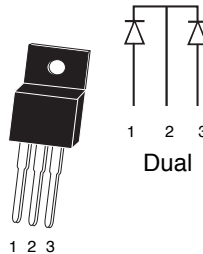
Top View



Bottom View

### Full Pak:

- Fully insulated plastic case.
- Suitable for automatic insertion.
- No mica insulator required.
- Does not require non-conductive nylon hardware.
- Can be easily mounted with metal screw or rivet.

$I_O$ (AMPS) @ $T_C$ (°C)	8.0	16
$I_{FSM}$ (AMPS)	150	150
<b>CASE</b>	 <p>TO-220FP 2 LEAD</p>	 <p>TO-220FP</p>
$V_{RRM}$ (Volts)		
40	CRSH8-40FP	CRSH16D-40FP
60	CRSH8-60FP	CRSH16D-60FP
100	CRSH8-100FP	CRSH16D-100FP



$V_F$ MAX @ $I_F = I_O$ @ $T_C = 125^\circ\text{C}$		
40V	0.57V	0.72V
60V	0.65V	0.85V
100V	0.75V	1.00V

(6-December 2004)

**Central**<sup>™</sup>  
Semiconductor Corp.  
www.centalsemi.com

# Schottky Rectifiers

(Continued)

$I_O$ (AMPS)	25	35	75
@ $T_C$ (°C)	150	150	120
$I_{FSM}$ (AMPS)	800	600	1200
<b>CASE</b>	 DO-4*		 DO-5*
$V_{RRM}$ (VOLTS)			
20	<b>CRSH25-2</b>		
30	<b>CRSH25-3</b>	<b>CRSH35-3</b>	<b>CRSH75-3</b>
40		<b>CRSH35-4</b>	<b>CRSH75-4</b>
50		<b>CRSH35-5</b>	<b>CRSH75-5</b>

$V_F$ MAX @ $I_F=I_O$			
20V	0.58V MAX @ 25A		
30V	0.58V MAX @ 25A	0.63V MAX @ 35A	0.70V MAX @ 75A
40V		0.63V MAX @ 35A	0.70V MAX @ 75A
50V		0.63V MAX @ 35A	0.70V MAX @ 75A

$I_R$ MAX @ $V_{RRM}$	2.0mA	2.0mA	2.0mA
-----------------------	-------	-------	-------

\* Standard polarity is cathode to case. For reverse polarity add "R" suffix to part number.