

PLEASE CHECK WWW.MOLEX.COM FOR LATEST PART INFORMATION

Part Number: [1045398102](#)
Status: **Active**
Overview: IllumiMate Connector System
Description: IllumiMate 1.25mm Wire-to-Board Receptacle Terminal, Pre-plated, Tin (Sn)

Documents:

[Drawing \(PDF\)](#) [Packaging Specification PK-104539-001-001 \(PDF\)](#)
[Product Specification PS-104130-001-001 \(PDF\)](#) [RoHS Certificate of Compliance \(PDF\)](#)
[Product Specification PS-104130-002-001 \(PDF\)](#)

General

Product Family Crimp Terminals
 Series [104539](#)
 Application Signal
 Crimp Quality Equipment Yes
 Overview IllumiMate Connector System
 Product Name IllumiMate
 UPC 884982703599

Physical

Durability (mating cycles max) 30
 Gender Female
 Material - Metal Phosphor Bronze
 Material - Plating Mating Tin
 Material - Plating Termination Tin
 Net Weight 0.019/g
 Packaging Type Reel
 Termination Interface: Style Crimp or Compression
 Wire Insulation Diameter 0.95mm max.
 Wire Size AWG 30, 32
 Wire Size mm² N/A

Electrical

Current - Maximum per Contact 1.0A
 Voltage - Maximum 250V

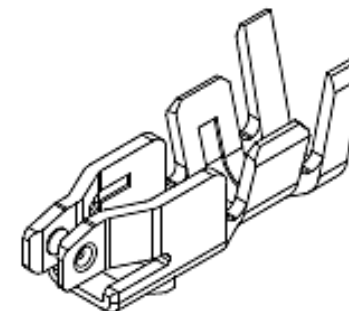
Solder Process Data

Lead-freeProcess Capability N/A

Material Info

Reference - Drawing Numbers

Crimp Specification CS-104539-001-001
 Packaging Specification PK-104539-001-001
 Product Specification PS-104130-001-001, PS-104130-002-001
 Sales Drawing SD-104539-002



Series image - Reference only

EU ELV

Not Relevant

EU RoHS

Compliant

REACH SVHC

Not Contained Per
 -ED/01/2018 (15
 January 2018)

Halogen-Free

Status

Low-Halogen

Need more information on product environmental compliance?

Email productcompliance@molex.com
 Please visit the [Contact Us](#) section for any non-product compliance questions.

China ROHS	Green Image
ELV	Not Relevant
RoHS Phthalates	Not Contained

Search Parts in this Series

[104539](#) Series

Use With

IllumiMate 1.25mm Pitch Wire-to-Board Crimp Housing [104131-0300](#) , [104131-0500](#)

Application Tooling | FAQ

Tooling specifications and manuals are found by selecting the products below. Crimp Height Specifications are then contained in the Application Tooling Specification document.

Global

Description	Product #
Hand Crimp Tool for IllumiMate 1.25mm Wire-to-Board Crimp Terminals	0638271000

This document was generated on 02/27/2018

PLEASE CHECK WWW.MOLEX.COM FOR LATEST PART INFORMATION

Mouser Electronics

Authorized Distributor

Click to View Pricing, Inventory, Delivery & Lifecycle Information:

[Molex:](#)

[104539-8102](#) [104539-8102 \(Cut Strip\)](#) [104539-8102 \(Mouser Reel\)](#) [104539-8002 \(Loose Piece\)](#) [104539-8102 \(Loose Piece\)](#)