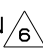


PANDUIT PART NUMBER	MILITARY PART NO. AND CLASS	STUD SIZE	DIMENSIONS in.				
			A ^{±.03}	W ^{±.01}	C ^{±.02}	M ^{±.03}	H ^{±.01}
PNF 18-4R	-----	#4	.77 (19.56)	.25 (6.35)	.20 (5.08)	.65 (16.51)	.12 (3.05)
**PNF 18-4RN 	MS25036-148 CLASS 1 & 2	#4	.73 (18.54)	.22 (5.59)	.19 (4.83)	.63 (16.00)	.12 (3.05)
PNF 18-6R	MS25036-102 CLASS 1 & 2	#6	.77 (19.56)	.25 (6.35)	.20 (5.08)	.65 (16.51)	.15 (3.81)
PNF 18-6RN	MS25036-101 CLASS 1 & 2	#6	.76 (19.30)	.22 (5.59)	.18 (4.57)	.63 (16.00)	.15 (3.81)
PNF 18-8R	MS25036-149 CLASS 1 & 2	#8	.87 (22.10)	.31 (7.87)	.24 (6.10)	.72 (18.29)	.17 (4.32)
PNF 18-10R	MS25036-103 CLASS 1 & 2	#10	.87 (22.10)	.32 (8.13)	.25 (6.35)	.72 (18.29)	.20 (5.08)
PNF 18-14R	MS25036-150 CLASS 1 & 2	1/4"	1.08 (27.43)	.46 (11.68)	.38 (9.65)	.85 (21.59)	.27 (6.86)
PNF 18-56R	MS25036-104 CLASS 1 & 2	5/16"	1.08 (27.43)	.46 (11.68)	.39 (9.91)	.85 (21.59)	.34 (8.64)
PNF 18-38R	MS25036-105 CLASS 1 & 2	3/8"	1.16 (29.46)	.53 (13.46)	.41 (10.41)	.90 (22.86)	.40 (10.16)

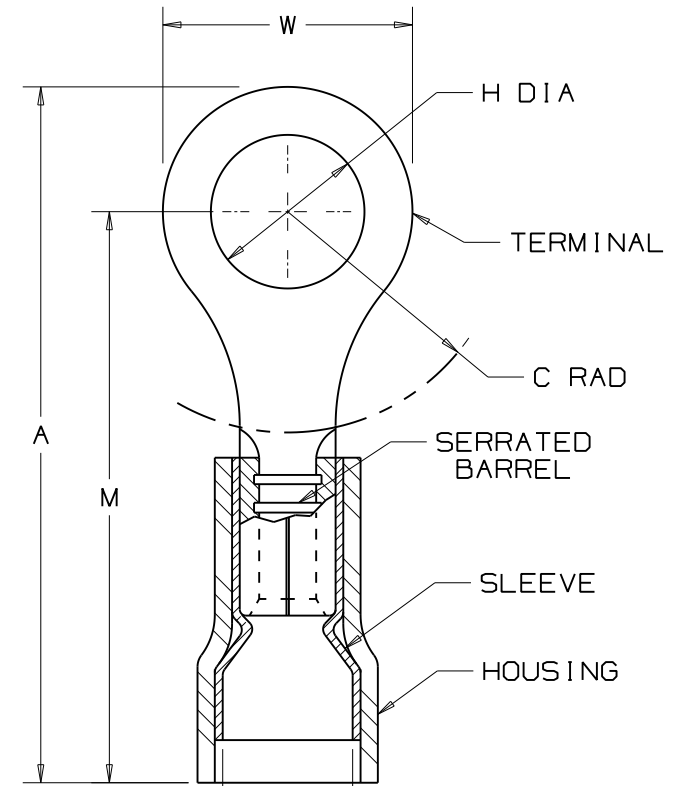
NOTES:

- UL LISTED AND CSA CERTIFIED FOR:
 - 600V. MAX. BLDG. WIRE (1000V. MAX. IN SIGNS, FIXTURES & LUMINARIES)
 - 221°F. (105°C) MAX. TEMP. RATING
- MATERIAL:
 - STAMPING- .032" (.81) THK. COPPER, TIN PLATED
 - HOUSING- NYLON, RED
 - SLEEVE- BRASS, TIN PLATED
- WIRE STRIP LENGTH- 7/32" +1/32, -0 (.56, +.8, -0)
- SEE www.panduit.com FOR PART NUMBER SUFFIX DESIGNATION FOR PACKAGE SIZE.
- DIMENSIONS IN PARENTHESIS ARE IN MILLIMETERS
- INSTALLATION TOOLS:
 - UL LISTED AND CSA CERTIFIED: CT-100*, CT-100A, CT-250*, CT-400 (UL, MIL CLASS 2), CT-500, CT-600-A, CT-1550, CT-1551, CT-2500
 - PANDUIT APPROVED: CT-160*, CT-250*

Panduit part numbers shown on this drawing meet the material requirements of RoHS (EUROPEAN DIRECTIVES 2002/95/EC) as proposed by the Technical Adaptation Committee



* FOR USE WITH 22-18 AWG WIRE RANGE
** NOT UL LISTED OR CSA CERTIFIED



.136 (3.45)
MAX. WIRE
INSUL. DIA.
.080 (2.03)
MIN. WIRE
INSUL. DIA.



LISTED CERTIFIED
587H LR31212
E52164

REV	DATE	BY	DESCRIPTION
10	8/11	SHOR	ADDED INSTALLATION TOOLS: CT-100A, CT-600-A, CT-2500
09	5/11	SB	Added Note # 4

PANDUIT

CORP.

TINLEY PARK, ILLINOIS

#22-18 BARREL NYLON INSULATED, FUNNELED WIRE ENTRY RING TONGUE, .136 (3.45) DIA. MAX. WIRE INSULATION DIAMETER

DRAWN BY DAW CHK'D LM SCALE NONE DRAWING NO A41275