

16-3P-Series Pushbutton Switches



The 16-3P-Series pushbutton switches are single pole and AC rated up to 3 amps. These momentary action switches have a slow-make, slow-break contact mechanism and require only light actuation force (4 oz. - 1 lb.). These switches are typically used in general purpose applications requiring finger actuation.

Dielectric Strength

UL/CSA: 1000V-live to dead metal parts

Electrical Life

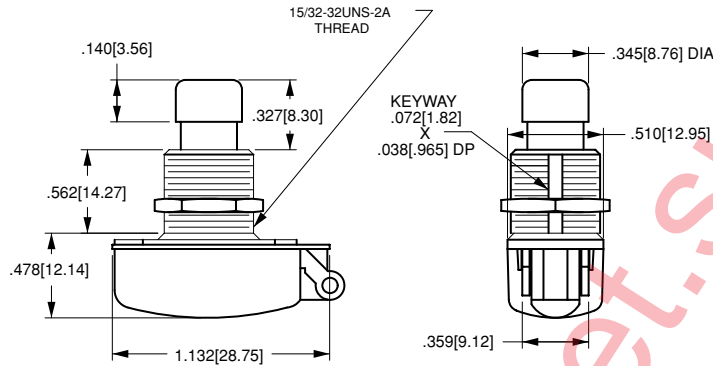
25,000 cycles

Mechanical Life

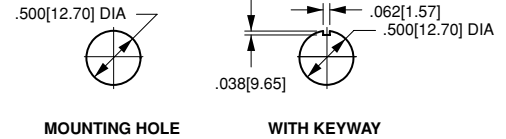
100,000 cycles

Operating Temperature

32°F to 185°F (0°C to 85°C)



<p>SOLDER LUG</p>	<p>INTEGRATED WIRE LEAD (no exposed conductors)</p>
TERMINAL TYPE	



16-3POFF - 4 - CBL

¹ Base Part Number

² Bushing

³ Actuator Style

1 BASE PART NUMBER: SERIES/POLES/CIRCUITRY/RATING/TERMINATION		
Single Pole	<i>solder lug</i>	<i>wire leads</i>
3A 125VAC		
OFF - (ON)	16-3POFF	16-3APOFF
OFF - (ON) with overtravel ¹	16-3POFF-OV	16-3APOFF-OV
ON - OFF	16-3PON	16-3APON
1A 125VAC		
ON - ON	116-P	116-AP
ON - ON with overtravel ¹	116-P-OV	116-AP-OV
1 ON - 1 OFF (2 circuit)	516-P	516-AP
1 ON - 1 OFF with overtravel ¹ (2 circuit)	516-P-OV	516-AP-OV

2 BUSHING STYLE	
2	.312 length
4	.562 length

3 ACTUATOR STYLE ²	
CBL	black plastic color cap
CRD	red plastic color cap

NOTES

- ¹ Overtravel only available with #4 bushing.
- ² When selection 3 is left blank, a standard nickel plated plunger is supplied.
- () Indicates momentary function.