

1A, 600V Hyperfast Diode

The RHR1K160 is a hyperfast diode with soft recovery characteristics ($t_{rr} < 25ns$). It has half the recovery time of ultrafast diodes and is silicon nitride passivated ion-implanted epitaxial planar construction.

This device is intended for use as freewheeling/clamping diodes and rectifiers in a variety of switching power supplies and other power switching applications. Its low stored charge and hyperfast soft recovery minimize ringing and electrical noise in many power switching circuits reducing power loss in the switching transistors.

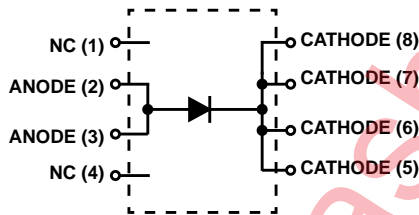
Formerly developmental type TA49185.

Ordering Information

PART NUMBER	PACKAGE	BRAND
RHR1K160	MS-012AA	RHR1K160

NOTE: When ordering, use the entire part number. For ordering in tape and reel, add the suffix 96 to the part number, i.e. RHR1K16096.

Symbol



Features

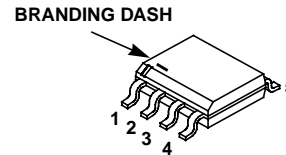
- Hyperfast with Soft Recovery <25ns
- Operating Temperature 150°C
- Reverse Voltage 600V
- *Thermal Impedance* SPICE Model
- *Thermal Impedance* SABER™ Model
- Avalanche Energy Rated
- Planar Construction
- Related Literature
 - TB334, "Guidelines for Soldering Surface Mount Components to PC Boards"

Applications

- Switching Power Supplies
- Power Switching Circuits
- General Purpose

Packaging

JEDEC MS-012AA



Absolute Maximum Ratings $T_A = 25^{\circ}C$, Unless Otherwise Specified

	RHR1K160	UNITS
Peak Repetitive Reverse Voltage	600	V
Working Peak Reverse Voltage	600	V
DC Blocking Voltage	600	V
Average Rectified Forward Current $T_A = 65^{\circ}C$	1	A
Repetitive Peak Surge Current Square Wave, 20kHz	2	A
Nonrepetitive Peak Surge Current Halfwave, 1 Phase, 60Hz	10	A
Maximum Power Dissipation (Note 1)	2.5	W
Avalanche Energy (See Figures 11 and 12)	5	mJ
Operating and Storage Temperature	-55 to 150	°C
Maximum Temperature for Soldering		
Leads at 0.063in (1.6mm) from Case for 10s.	300	°C
Package Body for 10s, See Tech brief 334	260	°C

CAUTION: Stresses above those listed in "Absolute Maximum Ratings" may cause permanent damage to the device. This is a stress only rating and operation of the device at these or any other conditions above those indicated in the operational sections of this specification is not implied.

RHR1K160

Electrical Specifications $T_A = 25^\circ\text{C}$, Unless Otherwise Specified

SYMBOL	TEST CONDITION	MIN	TYP	MAX	UNITS
V_F	$I_F = 1\text{A}$	-	-	2.1	V
	$I_F = 1\text{A}, T_A = 150^\circ\text{C}$	-	-	1.7	V
I_R	$V_R = 600\text{V}$	-	-	100	μA
	$V_R = 600\text{V}, T_A = 150^\circ\text{C}$	-	-	500	μA
t_{rr}	$I_F = 1\text{A}, dI_F/dt = 200\text{A}/\mu\text{s}$	-	-	25	ns
t_a	$I_F = 1\text{A}, dI_F/dt = 200\text{A}/\mu\text{s}$	-	10.5	-	ns
t_b	$I_F = 1\text{A}, dI_F/dt = 200\text{A}/\mu\text{s}$	-	5	-	ns
Q_{RR}	$I_F = 1\text{A}, dI_F/dt = 200\text{A}/\mu\text{s}$	-	20	-	nC
C_J	$V_R = 10\text{V}, I_F = 0\text{A}$	-	10	-	pF
$R_{\theta JA}$	Pad Area = 0.769 in^2 (Note 1)	-	-	50	$^\circ\text{C}/\text{W}$
	Pad Area = 0.054 in^2 (Note 2) (Figure 13)	-	-	177	$^\circ\text{C}/\text{W}$
	Pad Area = 0.0115 in^2 (Note 2) (Figure 13)	-	-	217	$^\circ\text{C}/\text{W}$

DEFINITIONS

V_F = Instantaneous forward voltage ($p_w = 300\mu\text{s}$, $D = 2\%$).

I_R = Instantaneous reverse current.

t_{rr} = Reverse recovery time (See Figure 10), summation of $t_a + t_b$.

t_a = Time to reach peak reverse current (See Figure 10).

t_b = Time from peak I_{RM} to projected zero crossing of I_{RM} based on a straight line from peak I_{RM} through 25% of I_{RM} (See Figure 10).

Q_{rr} = Reverse recovery charge.

C_J = Junction Capacitance.

$R_{\theta JA}$ = Thermal resistance junction to ambient.

p_w = Pulse width.

D = Duty cycle.

NOTES:

1. Measured using FR-4 copper board at 3.2 seconds.
2. Measured using FR-4 copper board at 1000 seconds.

Typical Performance Curves

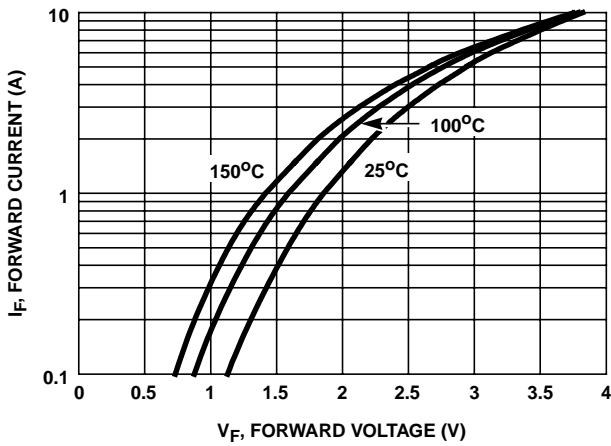


FIGURE 1. FORWARD CURRENT vs FORWARD VOLTAGE

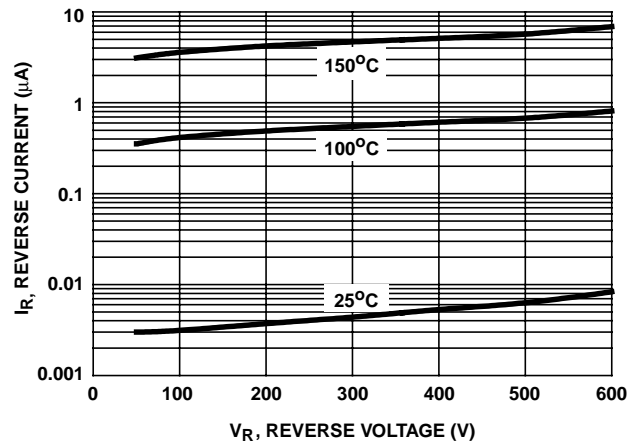


FIGURE 2. REVERSE CURRENT vs REVERSE VOLTAGE

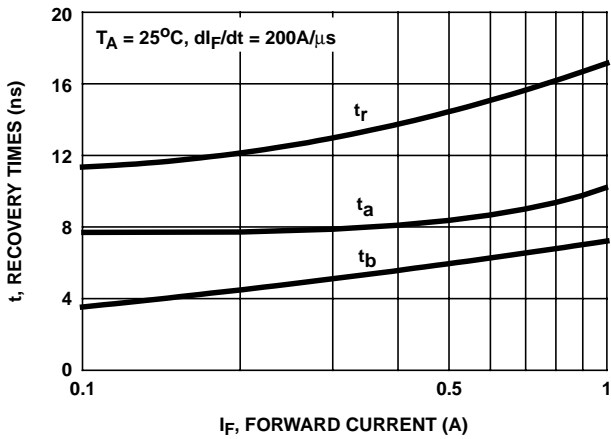


FIGURE 3. t_{rr} , t_a AND t_b CURVES vs FORWARD CURRENT

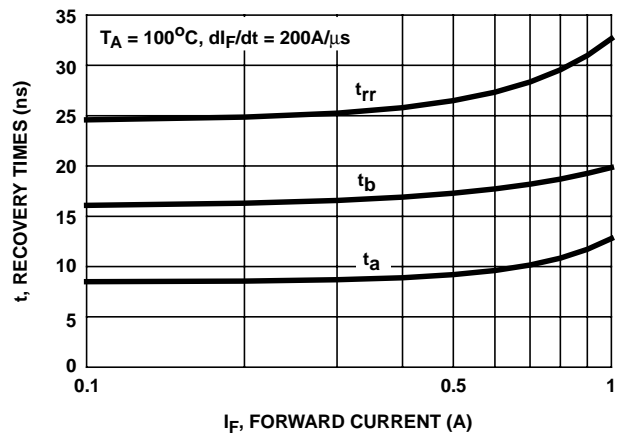


FIGURE 4. t_{rr} , t_a AND t_b CURVES vs FORWARD CURRENT

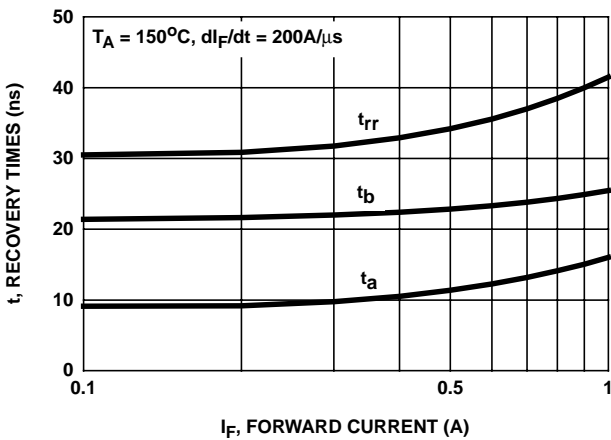


FIGURE 5. t_{rr} , t_a AND t_b CURVES vs FORWARD CURRENT

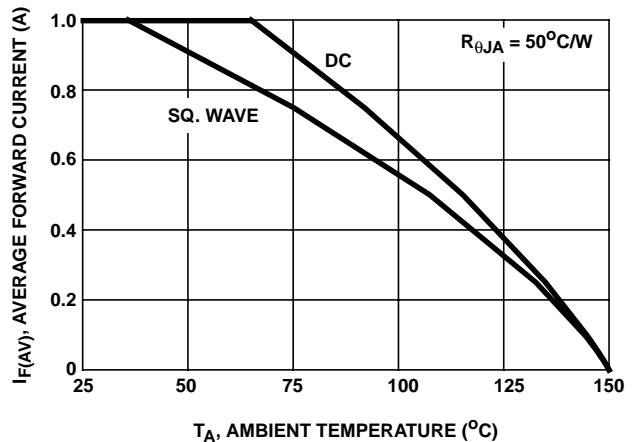


FIGURE 6. CURRENT DERATING CURVE

Typical Performance Curves (Continued)

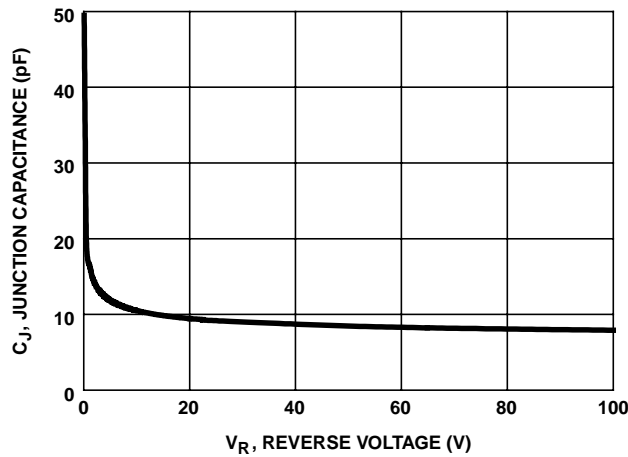


FIGURE 7. JUNCTION CAPACITANCE vs REVERSE VOLTAGE

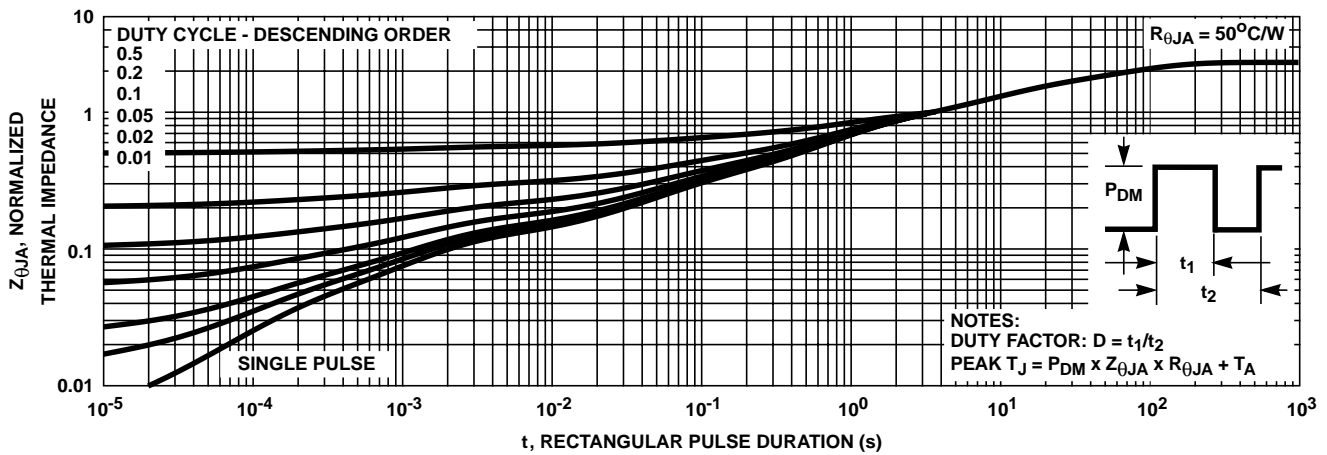


FIGURE 8. NORMALIZED MAXIMUM TRANSIENT THERMAL IMPEDANCE

Test Circuits and Waveforms

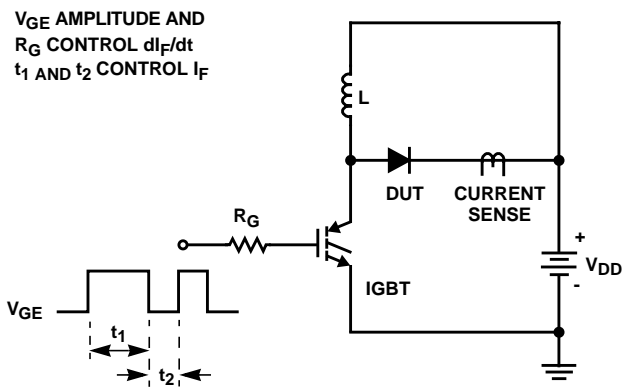


FIGURE 9. t_{rr} TEST CIRCUIT

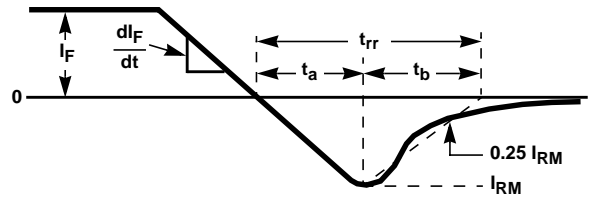


FIGURE 10. t_{rr} WAVEFORMS AND DEFINITIONS

Test Circuits and Waveforms (Continued)

$L = 20\text{mH}$
 $R < 0.1\Omega$
 $E_{AVL} = 1/2LI^2 [V_{R(AVL)}/(V_{R(AVL)} - V_{DD})]$
 $Q_1 = \text{IGBT} (BV_{CES} > \text{DUT } V_{R(AVL)})$

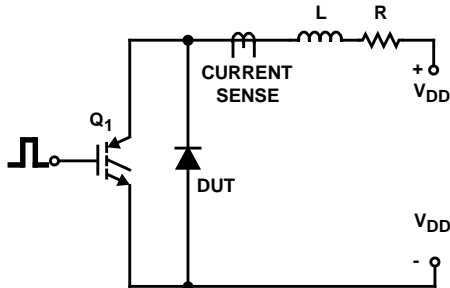


FIGURE 11. AVALANCHE ENERGY TEST CIRCUIT

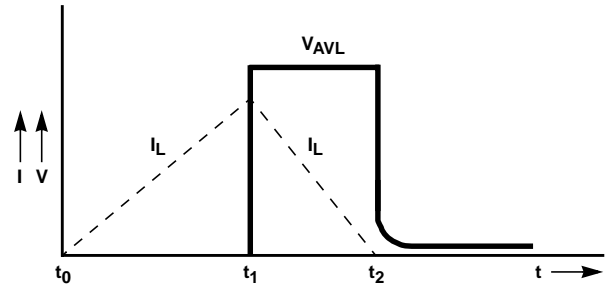


FIGURE 12. AVALANCHE CURRENT AND VOLTAGE WAVEFORMS

Thermal Resistance vs Mounting Pad Area

The maximum rated junction temperature, T_{JM} , and the thermal resistance of the heat dissipating path determines the maximum allowable device power dissipation, P_{DM} , in an application. Therefore the application's ambient temperature, T_A ($^{\circ}\text{C}$), and thermal resistance $R_{\theta JA}$ ($^{\circ}\text{C}/\text{W}$) must be reviewed to ensure that T_{JM} is never exceeded. Equation 1 mathematically represents the relationship and serves as the basis for establishing the rating of the part.

$$P_{DM} = \frac{(T_{JM} - T_A)}{Z_{\theta JA}} \quad (\text{EQ. 1})$$

In using surface mount devices such as the SO-8 package, the environment in which it is applied will have a significant influence on the part's current and maximum power dissipation ratings. Precise determination of the P_{DM} is complex and influenced by many factors:

1. Mounting pad area onto which the device is attached and whether there is copper on one side or both sides of the board.
2. The number of copper layers and the thickness of the board.
3. The use of external heat sinks.
4. The use of thermal vias.
5. Air flow and board orientation.
6. For non steady state applications, the pulse width, the duty cycle and the transient thermal response of the part, the board and the environment they are in.

Intersil provides thermal information to assist the designer's preliminary application evaluation. Figure 13 defines the $R_{\theta JA}$ for the device as a function of the top copper (component side) area. This is for a horizontally positioned FR-4 board with 2 oz. copper after 1000 seconds of steady state power with no air flow. This graph provides the necessary information for calculation of the steady state

junction temperature or power dissipation. Pulse applications can be evaluated using the Intersil device Spice thermal model or manually utilizing the normalized maximum transient thermal impedance curve.

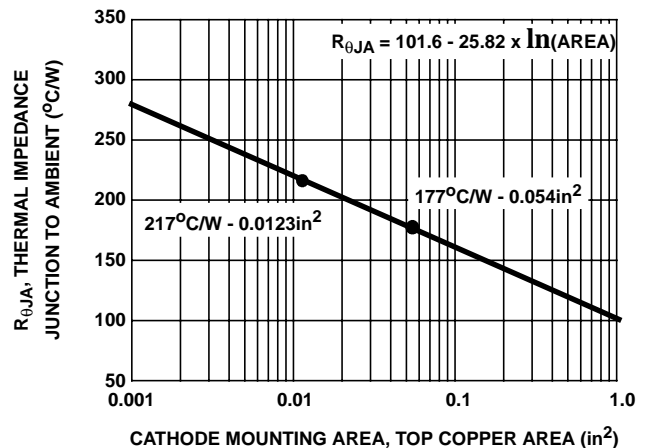


FIGURE 13. THERMAL RESISTANCE vs MOUNTING PAD AREA

Displayed on the curve are $R_{\theta JA}$ values listed in the Electrical Specifications table. These points were chosen to depict the compromise between the copper board area, the thermal resistance and ultimately the power dissipation, P_{DM} . Thermal resistances corresponding to other component side copper areas can be obtained from Figure 13 or by calculation using Equation 2. The area, in square inches is the top copper area including the cathode pad area.

$$R_{\theta JA} = 101.6 - 25.82 \times \ln(\text{Area}) \quad (\text{EQ. 2})$$

The transient thermal impedance ($Z_{\theta JA}$) is also effected by various top copper board areas. Figure 14 shows the effect of copper pad area on the single pulse transient thermal impedance. Each trace represents a copper pad area in square inches corresponding to the descending list in the graph. Spice and SABER thermal models are provided for each of the listed pad areas.

Copper pad area has no perceivable effect on transient thermal impedance for pulse widths less than 100ms. For pulse widths less than 100ms the transient thermal impedance is determined by the die and package. Therefore, C THERM1 through C THERM5 and R THERM1 through R THERM4 remain constant for each of the thermal models. A listing of the model component values is available in Table 1.

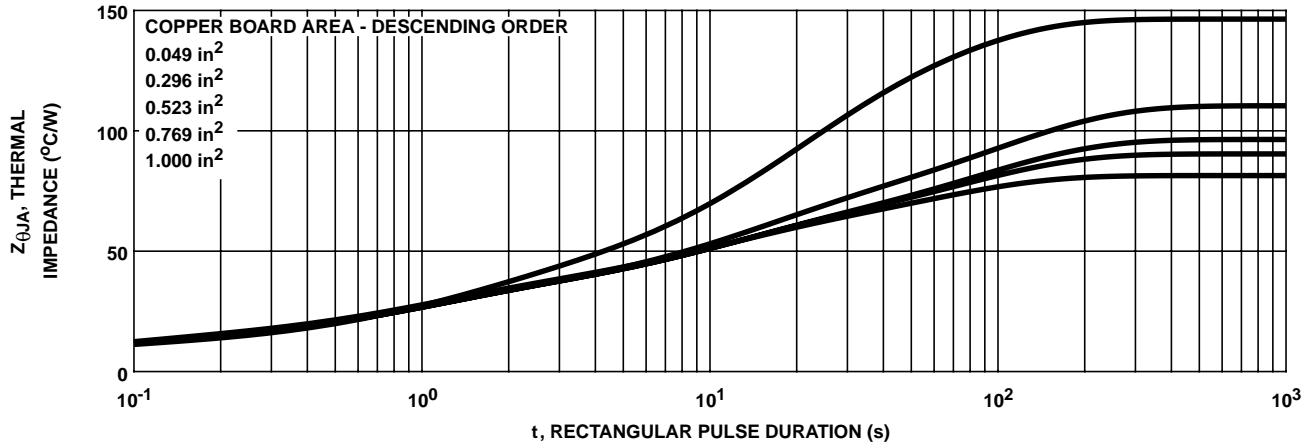


FIGURE 14. TRANSIENT THERMAL IMPEDANCE vs MOUNTING PAD AREA

SPICE Thermal Model

REV August 1998

RHR1K160

Copper Area = 0.769 in²

CTHERM1 th 8 5e-6
 CTHERM2 8 7 2.5e-5
 CTHERM3 7 6 1.2e-4
 CTHERM4 6 5 4.5e-4
 CTHERM5 5 4 9e-3
 CTHERM6 4 3 4.5e-2
 CTHERM7 3 2 3.5e-1
 CTHERM8 2 tl 2

RTHERM1 th 8 4e-2
 RTHERM2 8 7 1.6e-1
 RTHERM3 7 6 1
 RTHERM4 6 5 3.2
 RTHERM5 5 4 6
 RTHERM6 4 3 19
 RTHERM7 3 2 25
 RTHERM8 2 tl 36

SABER Thermal Model

Copper Area = 0.769 in²

template thermal_model th tl
 thermal_c th, tl

```
{
ctherm.ctherm1 th 8 = 5e-6
ctherm.ctherm2 8 7 = 2.5e-5
ctherm.ctherm3 7 6 = 1.2e-4
ctherm.ctherm4 6 5 = 4.5e-4
ctherm.ctherm5 5 4 = 9e-3
ctherm.ctherm6 4 3 = 4.5e-2
ctherm.ctherm7 3 2 = 3.5e-1
ctherm.ctherm8 2 tl = 2

```

```
rtherm.rtherm1 th 8 = 4e-2
rtherm.rtherm2 8 7 = 1.6e-1
rtherm.rtherm3 7 6 = 1
rtherm.rtherm4 6 5 = 3.2
rtherm.rtherm5 5 4 = 6
rtherm.rtherm6 4 3 = 19
rtherm.rtherm7 3 2 = 25
rtherm.rtherm8 2 tl = 36
}
```

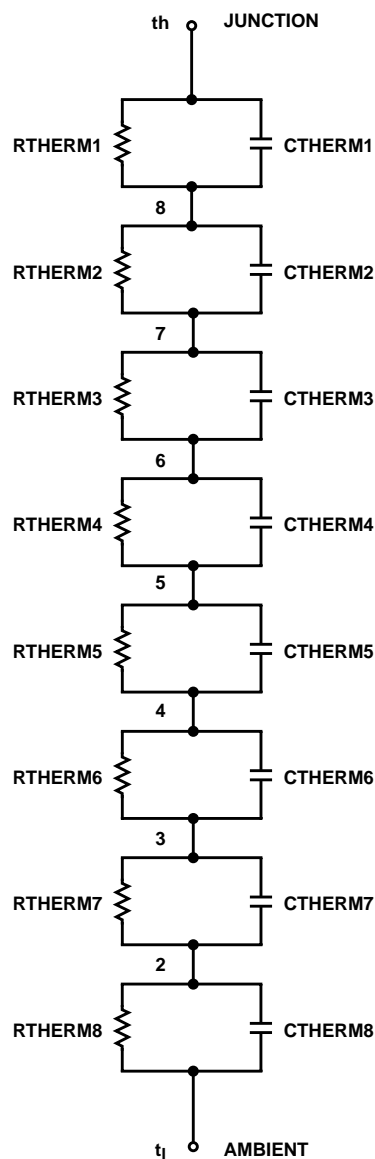


TABLE 1. THERMAL MODELS

COMPONENT	0.049 in ²	0.296 in ²	0.523 in ²	0.769 in ²	1.0 in ²
CTHERM6	5e-2	4.5e-2	4.5e-2	4.5e-2	4.5e-2
CTHERM7	2.5e-1	3.5e-1	3.5e-1	3.5e-1	3.5e-1
CTHERM8	1	2	2	2	2
RTHERM5	5	6	6	6	7
RTHERM6	22	19	19	19	19
RTHERM7	60	32	25	25	23
RTHERM8	55	49	42	36	28

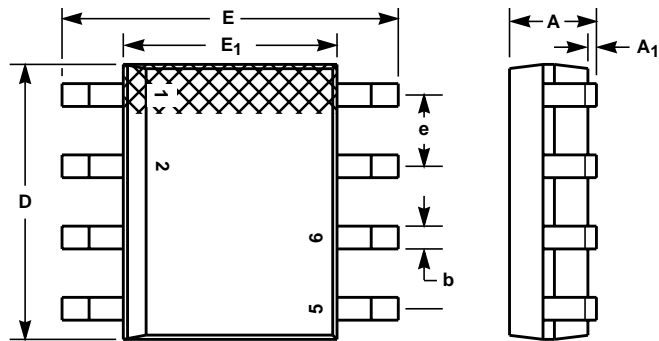
All Intersil semiconductor products are manufactured, assembled and tested under **ISO9000** quality systems certification.

Intersil semiconductor products are sold by description only. Intersil Corporation reserves the right to make changes in circuit design and/or specifications at any time without notice. Accordingly, the reader is cautioned to verify that data sheets are current before placing orders. Information furnished by Intersil is believed to be accurate and reliable. However, no responsibility is assumed by Intersil or its subsidiaries for its use; nor for any infringements of patents or other rights of third parties which may result from its use. No license is granted by implication or otherwise under any patent or patent rights of Intersil or its subsidiaries.

For information regarding Intersil Corporation and its products, see web site www.intersil.com

MS-012AA

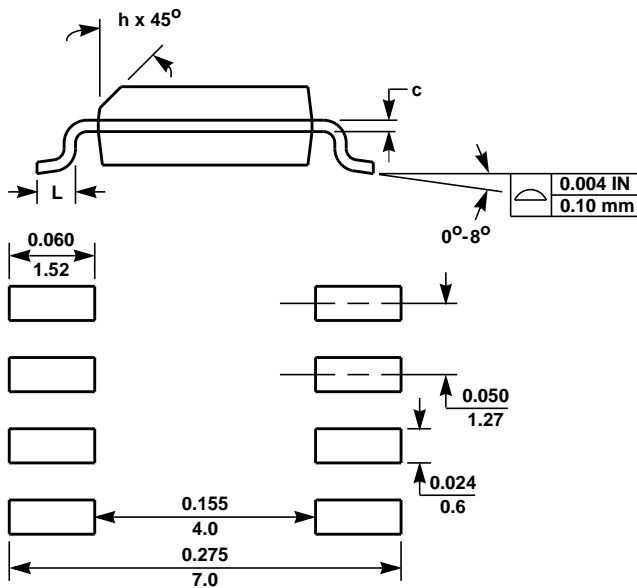
8 LEAD JEDEC MS-012AA SMALL OUTLINE PLASTIC PACKAGE



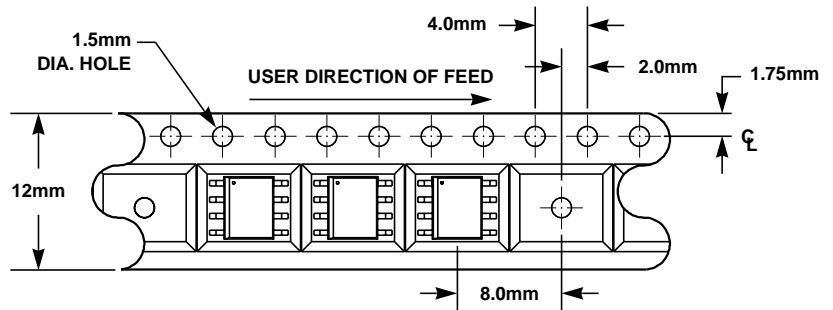
SYMBOL	INCHES		MILLIMETERS		NOTES
	MIN	MAX	MIN	MAX	
A	0.0532	0.0688	1.35	1.75	-
A ₁	0.004	0.0098	0.10	0.25	-
b	0.013	0.020	0.33	0.51	-
c	0.0075	0.0098	0.19	0.25	-
D	0.189	0.1968	4.80	5.00	2
E	0.2284	0.244	5.80	6.20	-
E ₁	0.1497	0.1574	3.80	4.00	3
e	0.050 BSC		1.27 BSC		-
H	0.0099	0.0196	0.25	0.50	-
L	0.016	0.050	0.40	1.27	4

NOTES:

1. All dimensions are within allowable dimensions of Rev. C of JEDEC MS-012AA outline dated 5-90.
2. Dimension "D" does not include mold flash, protrusions or gate burrs. Mold flash, protrusions or gate burrs shall not exceed 0.006 inches (0.15mm) per side.
3. Dimension "E₁" does not include inter-lead flash or protrusions. Inter-lead flash and protrusions shall not exceed 0.010 inches (0.25mm) per side.
4. "L" is the length of terminal for soldering.
5. The chamfer on the body is optional. If it is not present, a visual index feature must be located within the crosshatched area.
6. Controlling dimension: Millimeter.
7. Revision 8 dated 5-99.

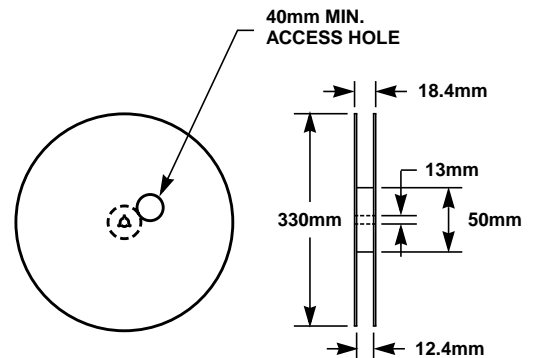
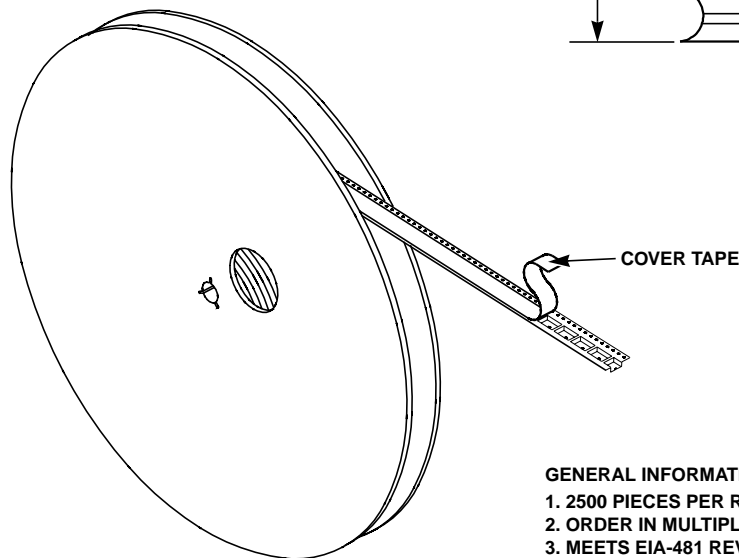


MINIMUM RECOMMENDED FOOTPRINT FOR SURFACE-MOUNTED APPLICATIONS



MS-012AA

12mm TAPE AND REEL



GENERAL INFORMATION

1. 2500 PIECES PER REEL.
2. ORDER IN MULTIPLES OF FULL REELS ONLY.
3. MEETS EIA-481 REVISION "A" SPECIFICATIONS.