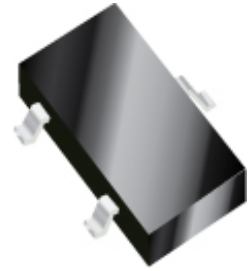
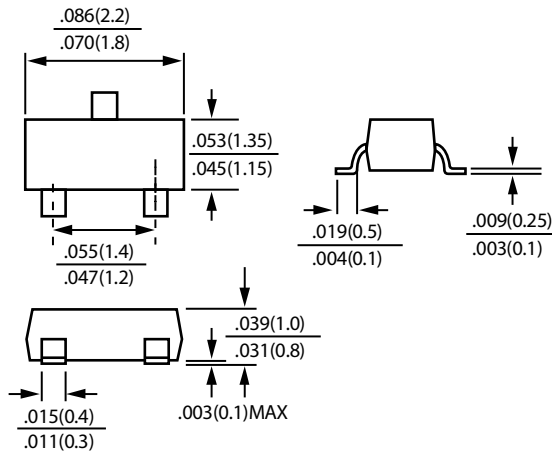




# MMBZ52BW SERIES



Surface Mount Device



## SOT-323

Dimensions in inches and (millimeters)

PRIMARY CHARACTERISTICS	
$V_z$	2.4 ~ 75V
$T_J$ max	150°C

### Features

- Planar Die construction
- 200mW Power Dissipation
- Zener Voltages from 2.4V~39V
- Ideally Suited for Automated Assembly Processes

### Mechanical Data

- Case: SOT-323, Plastic
- Terminals: Solderable per MIL-STD-202, Method 208
- Approx. Weight: 0.008 gram

### MAXIMUM RATINGS AND ELECTRICAL CHARACTERISTICS

Parameter	Symbol	Value	UNIT
Maximum Forward Voltage Drop at $I_F=100mA$	$P_D$	1.0	mW
Maximum Power Dissipation (Notes A) at 25°C	$T_J$	200	mV
Peak Forward Surge Current, 8.3ms single half sine-wave superimposed on rated load (JEDEC method) (Notes B) IFSM	$T_{STG}$	4	A
Operating Junction and Storage Temperature Range	$T_J$	- 55 to + 150	°C

Note:(1) TL = Lead temperature at 3/8" (9.5mm) from the body.



# MMBZ52BW SERIES



## Surface Mount Zener Diode

200 mWatt Surface Mount Zener Diodes /SOT-323

Part Number	Nominal Zener Voltage				Maximum Zener Impedance				Maximum Reverse Leakage Current		Marking Code
	$V_Z @ I_{ZT}$				$Z_{ZT} @ I_{ZT}$		$Z_{ZK} @ I_{ZK}$		$I_R @ V_R$		
	Nom. V	Min. V	Max. V	mA	$\Omega$	mA	$\Omega$	mA	$\mu A$	V	
MMBZ5221BW	2.4	2.28	2.52	20.0	30.0	20.0	1200	0.25	100.0	1.0	C1
MMBZ5222BW	2.5	2.38	2.63	20.0	30.0	20.0	1250	0.25	100.0	1.0	C2
MMBZ5223BW	2.7	2.57	2.84	20.0	30.0	20.0	1300	0.25	75.0	1.0	C3
MMBZ5225BW	3.0	2.85	3.15	20.0	30.0	20.0	1600	0.25	50.0	1.0	C5
MMBZ5226BW	3.3	3.14	3.47	20.0	28.0	20.0	1600	0.25	25.0	1.0	D1
MMBZ5227BW	3.6	3.42	3.78	20.0	24.0	20.0	1700	0.25	15.0	1.0	D2
MMBZ5228BW	3.9	3.71	4.10	20.0	23.0	20.0	1900	0.25	10.0	1.0	D3
MMBZ5229BW	4.3	4.09	4.52	20.0	22.0	20.0	2000	0.25	5.0	1.0	D4
MMBZ5230BW	4.7	4.47	4.94	20.0	19.0	20.0	1900	0.25	5.0	2.0	D5
MMBZ5231BW	5.1	4.85	5.36	20.0	17.0	20.0	1600	0.25	5.0	2.0	E1
MMBZ5232BW	5.6	5.32	5.88	20.0	11.0	20.0	1600	0.25	5.0	3.0	E2
MMBZ5234BW	6.2	5.89	6.51	20.0	7.0	20.0	1000	0.25	5.0	4.0	E4
MMBZ5235BW	6.8	6.46	7.14	20.0	5.0	20.0	750	0.25	3.0	5.0	E5
MMBZ5236BW	7.5	7.13	7.88	20.0	6.0	20.0	500	0.25	3.0	6.0	F1
MMBZ5237BW	8.2	7.79	8.61	20.0	8.0	20.0	500	0.25	3.0	6.0	F2
MMBZ5239BW	9.1	8.65	9.56	20.0	10.0	20.0	600	0.25	3.0	6.5	F4
MMBZ5240BW	10.0	9.50	10.50	20.0	17.0	20.0	600	0.25	3.0	8.0	F5
MMBZ5241BW	11.0	10.45	11.55	20.0	22.0	20.0	600	0.25	3.0	8.4	H1
MMBZ5242BW	12.0	11.40	12.60	20.0	30.0	20.0	600	0.25	2.0	9.1	H2
MMBZ5243BW	13.0	12.35	13.65	9.5	13.0	9.5	600	0.25	1.0	9.9	H3
MMBZ5244BW	14.0	13.30	14.70	9.0	15.0	9.0	600	0.25	1.0	10.5	H4
MMBZ5245BW	15.0	14.25	15.75	8.5	16.0	8.5	600	0.25	1.0	11.0	H5
MMBZ5246BW	16.0	15.20	16.80	7.8	17.0	7.8	600	0.25	0.1	12.0	J1
MMBZ5247BW	17.0	16.15	17.85	7.5	19.0	7.5	600	0.25	0.1	13.0	J2
MMBZ5248BW	18.0	17.10	18.90	7.0	21.0	7.0	600	0.25	0.1	14.0	J3
MMBZ5250BW	20.0	19.00	21.00	6.2	25.0	6.2	600	0.25	0.1	15.0	J5
MMBZ5251BW	22.0	20.90	23.10	5.6	29.0	5.6	600	0.25	0.1	17.0	K1
MMBZ5252BW	24.0	22.80	25.20	5.2	33.0	5.2	600	0.25	0.1	18.0	K2
MMBZ5254BW	27.0	25.65	28.35	5.0	41.0	5.0	600	0.25	0.1	21.0	K4
MMBZ5255BW	28.0	26.60	29.40	4.5	44.0	4.5	600	0.25	0.1	21.0	K5
MMBZ5256BW	30.0	28.50	31.50	4.2	49.0	4.2	600	0.25	0.1	23.0	M1
MMBZ5257BW	33.0	31.35	34.65	3.8	58.0	3.8	700	0.25	0.1	25.0	M2
MMBZ5258BW	36.0	34.20	37.80	3.4	70.0	3.4	700	0.25	0.1	27.0	M3
MMBZ5259BW	39.0	37.05	40.95	3.2	80.0	3.2	800	0.25	0.1	30.0	M4