

# DATA SHEET

Datasheet.Support

## **74LVC541A**

Octal buffer/line driver with 5 V  
tolerant inputs/outputs (3-state)

Product specification  
Supersedes data of 2003 May 14

2003 Nov 12

## Octal buffer/line driver with 5 V tolerant inputs/outputs (3-state)

## 74LVC541A

### FEATURES

- 5 V tolerant inputs/outputs; for interfacing with 5 V logic
- Wide supply voltage range from 2.7 to 3.6 V
- CMOS low-power consumption
- Direct interface with TTL levels
- Complies with JEDEC standard no. 8-1A
- ESD protection:  
HBM EIA/JESD22-A114-A exceeds 2000 V  
MM EIA/JESD22-A115-A exceeds 200 V.

### DESCRIPTION

The 74LVC541A is a high performance, low-power, low-voltage, Si-gate CMOS device and superior to most advanced CMOS compatible TTL families.

This device is fully specified for partial power-down applications using  $I_{off}$ . The  $I_{off}$  circuitry disables the output, preventing the damaging backflow current through the device when it is powered down.

Inputs can be driven from either 3.3 or 5 V devices. In 3-state operation, outputs can handle 5 V. This feature allows the use of these devices as translators in a mixed 3.3 and 5 V environment.

The 74LVC541A is an octal non-inverting buffer/line driver with 5 V tolerant inputs/outputs. The 3-state outputs are controlled by the output enable inputs OE1 and OE2.

### QUICK REFERENCE DATA

GND = 0 V;  $T_{amb} = 25\text{ }^{\circ}\text{C}$ ;  $t_r = t_f \leq 2.5\text{ ns}$ .

SYMBOL	PARAMETER	CONDITIONS	TYPICAL	UNIT
$t_{PHL}/t_{PLH}$	propagation delay An to Yn	$C_L = 50\text{ pF}$ ; $V_{CC} = 3.3\text{ V}$	3.3	ns
$C_I$	input capacitance		5.0	pF
$C_{PD}$	power dissipation capacitance per buffer	$V_{CC} = 3.3\text{ V}$ ; notes 1 and 2	20	pF

### Notes

1.  $C_{PD}$  is used to determine the dynamic power dissipation ( $P_D$  in  $\mu\text{W}$ ).  
 $P_D = C_{PD} \times V_{CC}^2 \times f_i \times N + \Sigma(C_L \times V_{CC}^2 \times f_o)$  where:  
 $f_i$  = input frequency in MHz;  
 $f_o$  = output frequency in MHz;  
 $C_L$  = output load capacitance in pF;  
 $V_{CC}$  = supply voltage in Volts;  
 $N$  = total load switching outputs;  
 $\Sigma(C_L \times V_{CC}^2 \times f_o)$  = sum of the outputs.
2. The condition is  $V_I = \text{GND to } V_{CC}$ .

# Octal buffer/line driver with 5 V tolerant inputs/outputs (3-state)

74LVC541A

**FUNCTION TABLE**

See note 1.

INPUT			OUTPUT
$\overline{OE}1$	$\overline{OE}2$	$A_n$	$Y_n$
L	L	L	L
L	L	H	H
X	H	X	Z
H	X	X	Z

**Note**

- H = HIGH voltage level;  
L = LOW voltage level;  
X = don't care;  
Z = high-impedance OFF-state.

**ORDERING INFORMATION**

TYPE NUMBER	TEMPERATURE RANGE	PACKAGE			
		PINS	PACKAGE	MATERIAL	CODE
74LVC541AD	-40 to +125 °C	20	SO20	plastic	SOT163-1
74LVC541ADB	-40 to +125 °C	20	SSOP20	plastic	SOT339-1
74LVC541APW	-40 to +125 °C	20	TSSOP20	plastic	SOT360-1
74LVC541ABQ	-40 to +125 °C	20	DHVQFN20	plastic	SOT764-1

**PINNING**

PIN	SYMBOL	DESCRIPTION
1	$\overline{OE}1$	output enable input (active LOW)
2	A0	data input
3	A1	data input
4	A2	data input
5	A3	data input
6	A4	data input
7	A5	data input
8	A6	data input
9	A7	data input
10	GND	ground (0 V)

PIN	SYMBOL	DESCRIPTION
11	Y7	bus output
12	Y6	bus output
13	Y5	bus output
14	Y4	bus output
15	Y3	bus output
16	Y2	bus output
17	Y1	bus output
18	Y0	bus output
19	$\overline{OE}2$	output enable input (active LOW)
20	$V_{CC}$	supply voltage

Octal buffer/line driver with 5 V tolerant inputs/outputs (3-state)

74LVC541A

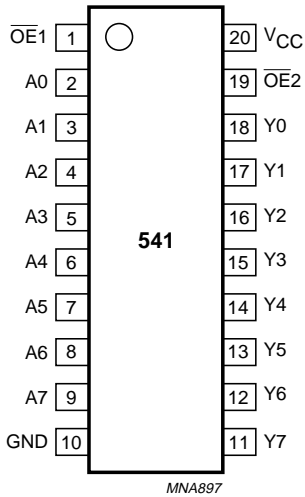
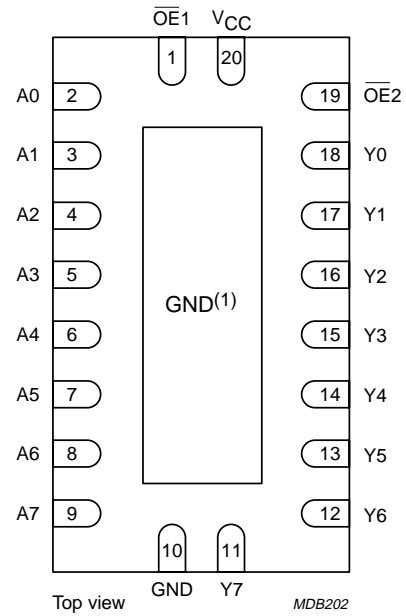


Fig.1 Pin configuration SO20 and (T)SSOP20.



(1) The die substrate is attached to this pad using conductive die attach material. It can not be used as a supply pin or input.

Fig.2 Pin configuration DHVQFN20.

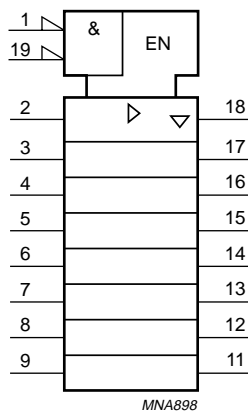


Fig.3 Logic Symbol (IEEE/IEC).

# Octal buffer/line driver with 5 V tolerant inputs/outputs (3-state)

## 74LVC541A

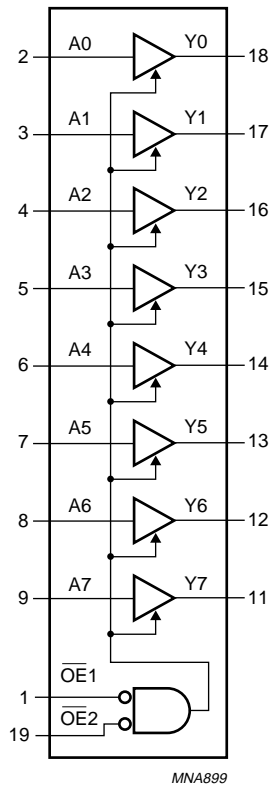


Fig.4 Logic symbol.

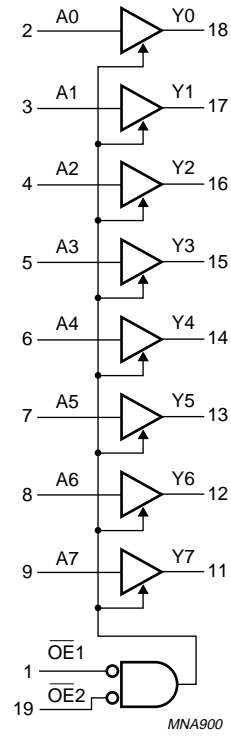


Fig.5 Functional diagram.

# Octal buffer/line driver with 5 V tolerant inputs/outputs (3-state)

74LVC541A

## RECOMMENDED OPERATING CONDITIONS

SYMBOL	PARAMETER	CONDITIONS	MIN.	MAX.	UNIT
V <sub>CC</sub>	supply voltage	for maximum speed performance	2.7	3.6	V
		for low-voltage applications	1.2	3.6	V
V <sub>I</sub>	input voltage		0	5.5	V
V <sub>O</sub>	output voltage	output HIGH or LOW state	0	V <sub>CC</sub>	V
		output 3-state	0	5.5	V
T <sub>amb</sub>	operating ambient temperature	in free air	-40	+125	°C
t <sub>r</sub> , t <sub>f</sub>	input rise and fall times	V <sub>CC</sub> = 1.2 to 2.7 V	0	20	ns/V
		V <sub>CC</sub> = 2.7 to 3.6 V	0	10	ns/V

## LIMITING VALUES

In accordance with the Absolute Maximum Rating System (IEC 60134); voltages are referenced to GND (ground = 0 V).

SYMBOL	PARAMETER	CONDITIONS	MIN.	MAX.	UNIT
V <sub>CC</sub>	supply voltage		-0.5	+6.5	V
I <sub>IK</sub>	input diode current	V <sub>I</sub> < 0	-	-50	mA
V <sub>I</sub>	input voltage	note 1	-0.5	+5.5	V
I <sub>OK</sub>	output diode current	V <sub>O</sub> > V <sub>CC</sub> or V <sub>O</sub> < 0	-	±50	mA
V <sub>O</sub>	output voltage	output HIGH or LOW state; note 1	-0.5	V <sub>CC</sub> + 0.5	V
		output 3-state or power down; note 1	-0.5	+6.5	V
I <sub>O</sub>	output diode source or sink current	V <sub>O</sub> = 0 to V <sub>CC</sub>	-	±50	mA
I <sub>CC</sub> , I <sub>GND</sub>	V <sub>CC</sub> or GND current		-	±100	mA
T <sub>stg</sub>	storage temperature		-60	+150	°C
P <sub>tot</sub>	power dissipation	T <sub>amb</sub> = -40 to +125 °C; note 2	-	500	mW

## Notes

- The input and output voltage ratings may be exceeded if the input and output current ratings are observed.
- For SO20 packages: above 70 °C the value of P<sub>tot</sub> derates linearly with 8 mW/K.  
For (T)SSOP20 packages: above 60 °C the value of P<sub>tot</sub> derates linearly with 5.5 mW/K.  
For DHVQFN20 packages: above 60 °C the value of P<sub>tot</sub> derates linearly with 4.5 mW/K.

# Octal buffer/line driver with 5 V tolerant inputs/outputs (3-state)

74LVC541A

## DC CHARACTERISTICS

At recommended operating conditions; voltages are referenced to GND (ground = 0 V).

SYMBOL	PARAMETER	TEST CONDITIONS		MIN.	TYP. <sup>(1)</sup>	MAX.	UNIT
		OTHER	V <sub>CC</sub> (V)				
<b>T<sub>amb</sub> = -40 to +85 °C</b>							
V <sub>IH</sub>	HIGH-level input voltage		1.2	V <sub>CC</sub>	-	-	V
			2.7 to 3.6	2.0	-	-	V
V <sub>IL</sub>	LOW-level input voltage		1.2	-	-	0	V
			2.7 to 3.6	-	-	0.8	V
V <sub>OH</sub>	HIGH-level output voltage	V <sub>I</sub> = V <sub>IH</sub> or V <sub>IL</sub> I <sub>O</sub> = -100 μA	2.7 to 3.6	V <sub>CC</sub> - 0.2	V <sub>CC</sub>	-	V
		I <sub>O</sub> = -12 mA	2.7	V <sub>CC</sub> - 0.5	-	-	V
		I <sub>O</sub> = -18 mA	3.0	V <sub>CC</sub> - 0.6	-	-	V
		I <sub>O</sub> = -24 mA	3.0	V <sub>CC</sub> - 0.8	-	-	V
V <sub>OL</sub>	LOW-level output voltage	V <sub>I</sub> = V <sub>IH</sub> or V <sub>IL</sub> I <sub>O</sub> = 100 μA	2.7 to 3.6	-	0	0.2	V
		I <sub>O</sub> = 12 mA	2.7	-	-	0.4	V
		I <sub>O</sub> = 24 mA	3.0	-	-	0.55	V
I <sub>LI</sub>	input leakage current	V <sub>I</sub> = 5.5 V or GND	3.6	-	±0.1	±5	μA
I <sub>OZ</sub>	3-state output OFF-state current	V <sub>I</sub> = V <sub>IH</sub> or V <sub>IL</sub> ; V <sub>O</sub> = 5.5 V or GND	3.6	-	±0.1	±5	μA
I <sub>off</sub>	power-off leakage supply	V <sub>I</sub> or V <sub>O</sub> = 5.5 V	0.0	-	±0.1	±10	μA
I <sub>CC</sub>	quiescent supply current	V <sub>I</sub> = V <sub>CC</sub> or GND; I <sub>O</sub> = 0	3.6	-	0.1	10	μA
ΔI <sub>CC</sub>	additional quiescent supply current per pin	V <sub>I</sub> = V <sub>CC</sub> - 0.6 V; I <sub>O</sub> = 0	2.7 to 3.6	-	5	500	μA

# Octal buffer/line driver with 5 V tolerant inputs/outputs (3-state)

74LVC541A

SYMBOL	PARAMETER	TEST CONDITIONS		MIN.	TYP. <sup>(1)</sup>	MAX.	UNIT
		OTHER	V <sub>CC</sub> (V)				
<b>T<sub>amb</sub> = -40 to +125 °C</b>							
V <sub>IH</sub>	HIGH-level input voltage		1.2	V <sub>CC</sub>	–	–	V
			2.7 to 3.6	2.0	–	–	V
V <sub>IL</sub>	LOW-level input voltage		1.2	–	–	0	V
			2.7 to 3.6	–	–	0.8	V
V <sub>OH</sub>	HIGH-level output voltage	V <sub>I</sub> = V <sub>IH</sub> or V <sub>IL</sub> I <sub>O</sub> = -100 µA	2.7 to 3.6	V <sub>CC</sub> - 0.3	–	–	V
		I <sub>O</sub> = -12 mA	2.7	V <sub>CC</sub> - 0.65	–	–	V
		I <sub>O</sub> = -18 mA	3.0	V <sub>CC</sub> - 0.75	–	–	V
		I <sub>O</sub> = -24 mA	3.0	V <sub>CC</sub> - 1	–	–	V
V <sub>OL</sub>	LOW-level output voltage	V <sub>I</sub> = V <sub>IH</sub> or V <sub>IL</sub> I <sub>O</sub> = 100 µA	2.7 to 3.6	–	–	0.3	V
		I <sub>O</sub> = 12 mA	2.7	–	–	0.6	V
		I <sub>O</sub> = 24 mA	3.0	–	–	0.8	V
I <sub>LI</sub>	input leakage current	V <sub>I</sub> = 5.5 V or GND	3.6	–	–	±20	µA
I <sub>OZ</sub>	3-state output OFF-state current	V <sub>I</sub> = V <sub>IH</sub> or V <sub>IL</sub> ; V <sub>O</sub> = 5.5 V or GND	3.6	–	–	±20	µA
I <sub>off</sub>	power-off leakage supply	V <sub>I</sub> or V <sub>O</sub> = 5.5 V	0.0	–	–	±20	µA
I <sub>CC</sub>	quiescent supply current	V <sub>I</sub> = V <sub>CC</sub> or GND; I <sub>O</sub> = 0	3.6	–	–	40	µA
ΔI <sub>CC</sub>	additional quiescent supply current per pin	V <sub>I</sub> = V <sub>CC</sub> - 0.6 V; I <sub>O</sub> = 0	2.7 to 3.6	–	–	5000	µA

**Note**

1. All typical values are measured at V<sub>CC</sub> = 3.3 V and T<sub>amb</sub> = 25 °C.



# Octal buffer/line driver with 5 V tolerant inputs/outputs (3-state)

74LVC541A

## AC CHARACTERISTICS

GND = 0 V;  $t_r = t_f \leq 2.5$  ns;  $C_L = 50$  pF.

SYMBOL	PARAMETER	TEST CONDITIONS		MIN.	TYP. <sup>(1)</sup>	MAX.	UNIT
		WAVEFORMS	V <sub>CC</sub> (V)				
<b>T<sub>amb</sub> = -40 to +85 °C</b>							
t <sub>PHL</sub> /t <sub>PLH</sub>	propagation delay An to Yn	see Figs 6 and 8	1.2	–	14	–	ns
			2.7	1.5	3.9	5.6	ns
			3.0 to 3.6	1.0	3.3 <sup>(2)</sup>	5.1	ns
t <sub>PZH</sub> /t <sub>PZL</sub>	3-state output enable time O <sub>En</sub> to Yn	see Figs 7 and 8	1.2	–	20	–	ns
			2.7	1.5	5.2	7.5	ns
			3.0 to 3.6	1.0	4.4 <sup>(2)</sup>	7.0	ns
t <sub>PHZ</sub> /t <sub>PLZ</sub>	3-state output disable time O <sub>En</sub> to Yn	see Figs 7 and 8	1.2	–	11	–	ns
			2.7	1.5	4.3	7.0	ns
			3.0 to 3.6	1.0	3.8 <sup>(2)</sup>	6.0	ns
<b>T<sub>amb</sub> = -40 to +125 °C</b>							
t <sub>PHL</sub> /t <sub>PLH</sub>	propagation delay An to Yn	see Figs 6 and 8	1.2	–	–	–	ns
			2.7	1.5	–	7.0	ns
			3.0 to 3.6	1.0	–	6.5	ns
t <sub>PZH</sub> /t <sub>PZL</sub>	3-state output enable time O <sub>En</sub> to Yn	see Figs 7 and 8	1.2	–	–	–	ns
			2.7	1.5	–	9.5	ns
			3.0 to 3.6	1.0	–	9.0	ns
t <sub>PHZ</sub> /t <sub>PLZ</sub>	3-state output disable time O <sub>En</sub> to Yn	see Figs 7 and 8	1.2	–	–	–	ns
			2.7	1.5	–	9.0	ns
			3.0 to 3.6	1.0	–	7.5	ns

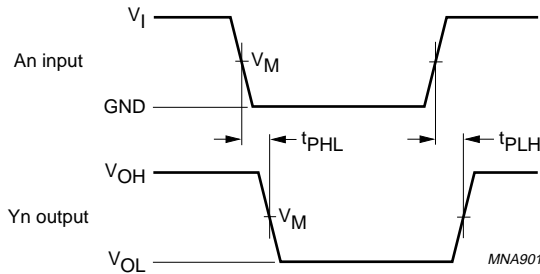
### Notes

- All typical values are measured T<sub>amb</sub> = 25 °C.
- These typical values are measured at V<sub>CC</sub> = 3.3 V.

Octal buffer/line driver with 5 V tolerant inputs/outputs (3-state)

74LVC541A

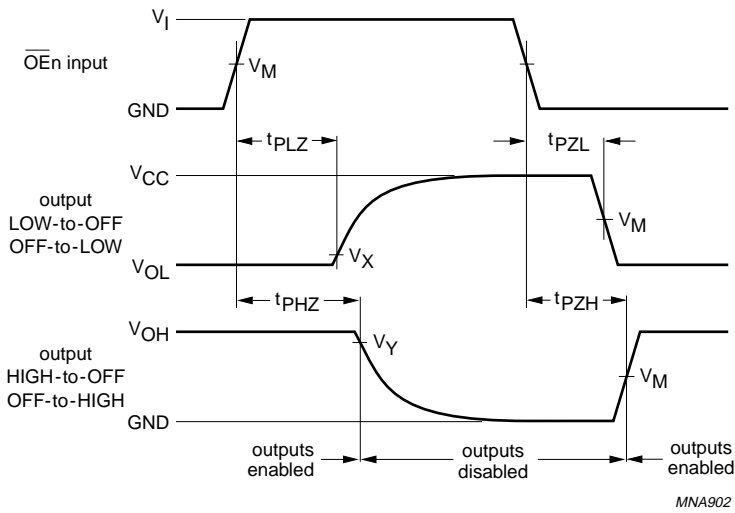
AC WAVEFORMS



V <sub>CC</sub>	V <sub>M</sub>	INPUT	
		V <sub>I</sub>	t <sub>r</sub> = t <sub>f</sub>
1.2 V	0.5 × V <sub>CC</sub>	V <sub>CC</sub>	≤ 2.5 ns
2.7 V	1.5 V	2.7 V	≤ 2.5 ns
3.0 to 3.6 V	1.5 V	2.7 V	≤ 2.5 ns

V<sub>OL</sub> and V<sub>OH</sub> are typical output voltage drop that occur with the output load.

Fig.6 Input (An) to output (YN) propagation delays.



V <sub>CC</sub>	V <sub>M</sub>	INPUT	
		V <sub>I</sub>	t <sub>r</sub> = t <sub>f</sub>
1.2 V	0.5 × V <sub>CC</sub>	V <sub>CC</sub>	≤ 2.5 ns
2.7 V	1.5 V	2.7 V	≤ 2.5 ns
3.0 to 3.6 V	1.5 V	2.7 V	≤ 2.5 ns

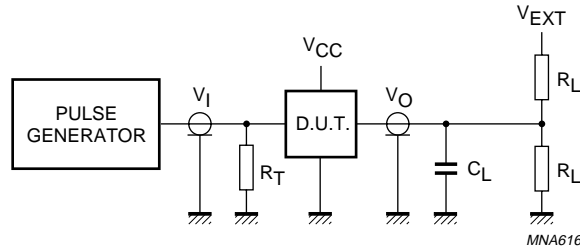
V<sub>X</sub> = V<sub>OL</sub> + 0.3 V at V<sub>CC</sub> ≥ 2.7 V;  
 V<sub>X</sub> = V<sub>OL</sub> + 0.1 V at V<sub>CC</sub> < 2.7 V;  
 V<sub>Y</sub> = V<sub>OH</sub> - 0.3 V at V<sub>CC</sub> ≥ 2.7 V;  
 V<sub>Y</sub> = V<sub>OH</sub> - 0.1 V at V<sub>CC</sub> < 2.7 V.

V<sub>OL</sub> and V<sub>OH</sub> are typical output voltage drop that occur with the output load.

Fig.7 3-state enable and disable times.

Octal buffer/line driver with 5 V tolerant inputs/outputs (3-state)

74LVC541A



V <sub>CC</sub>	V <sub>I</sub>	C <sub>L</sub>	R <sub>L</sub>	V <sub>EXT</sub>		
				t <sub>PLH</sub> /t <sub>PHL</sub>	t <sub>PZH</sub> /t <sub>PHZ</sub>	t <sub>PZL</sub> /t <sub>PLZ</sub>
1.2 V	V <sub>CC</sub>	50 pF	500 Ω <sup>(1)</sup>	open	GND	2 × V <sub>CC</sub>
2.7 V	2.7 V	50 pF	500 Ω	open	GND	2 × V <sub>CC</sub>
3.0 to 3.6 V	2.7 V	50 pF	500 Ω	open	GND	2 × V <sub>CC</sub>

**Note**

- The circuit performs better when R<sub>L</sub> = 1000 Ω.

Definitions for test circuits:

R<sub>L</sub> = Load resistor.

C<sub>L</sub> = Load capacitance including jig and probe capacitance.

R<sub>T</sub> = Termination resistance should be equal to the output impedance Z<sub>o</sub> of the pulse generator.

Fig.8 Load circuitry for switching times.

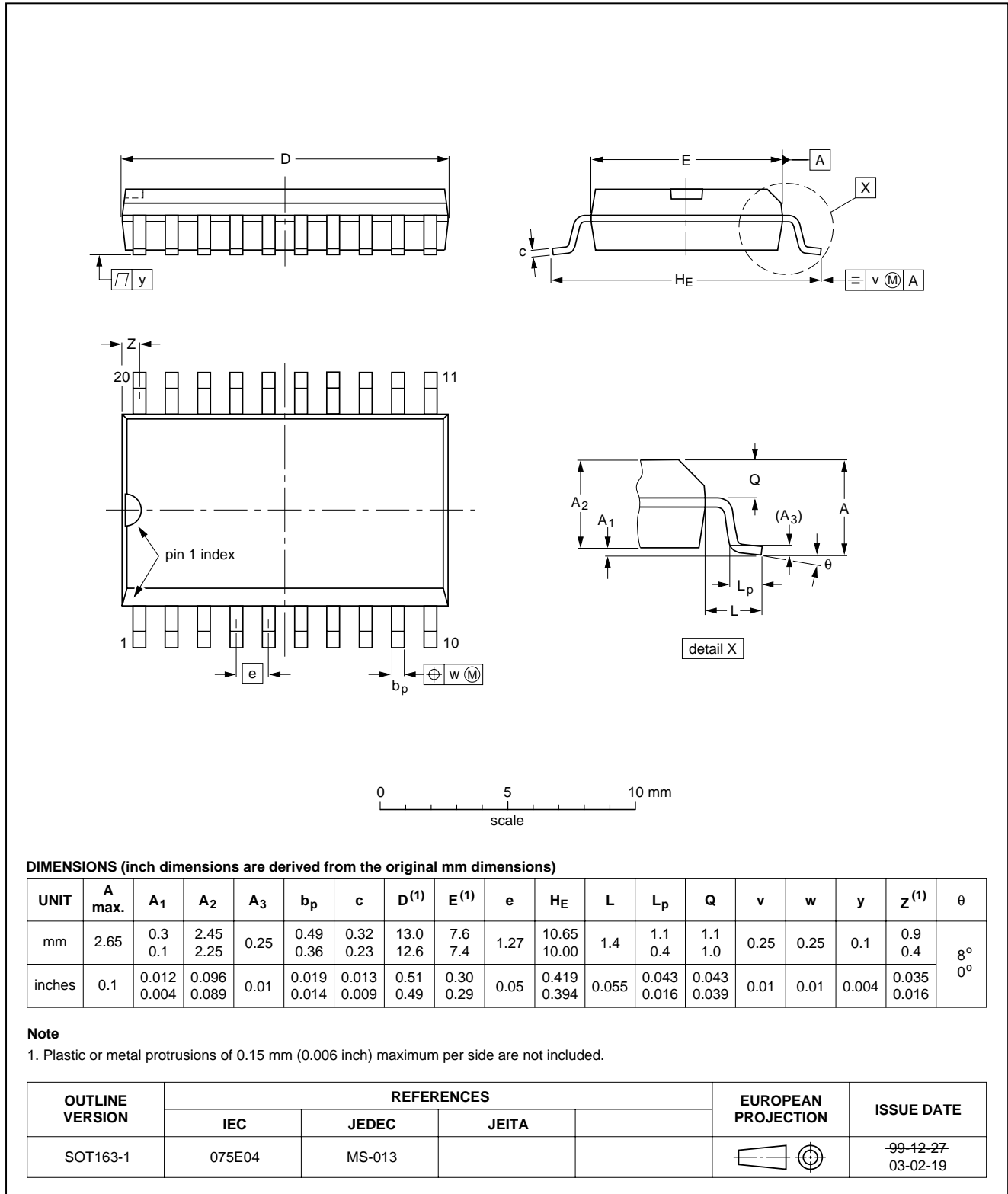
Octal buffer/line driver with 5 V tolerant inputs/outputs (3-state)

74LVC541A

PACKAGE OUTLINES

SO20: plastic small outline package; 20 leads; body width 7.5 mm

SOT163-1

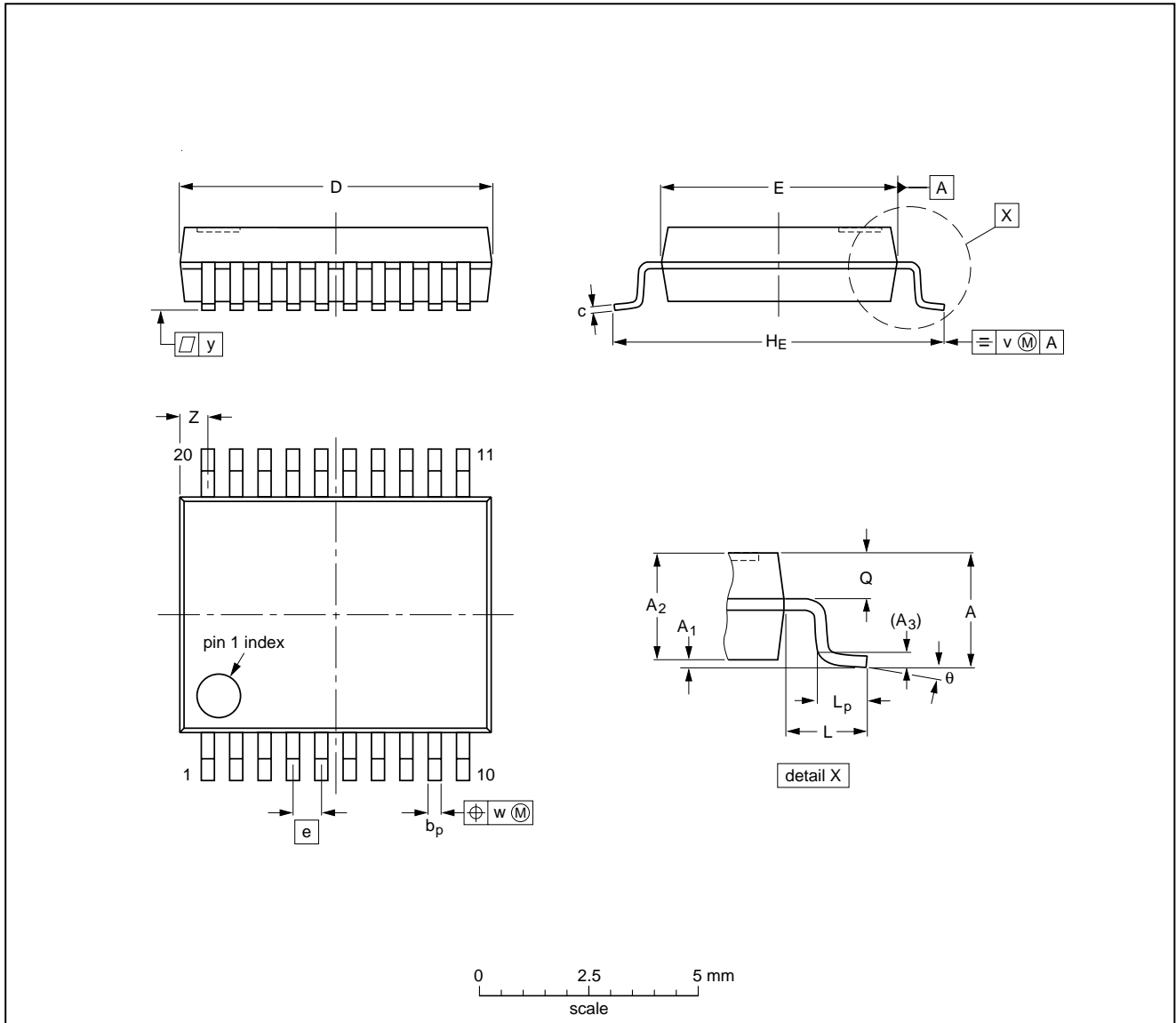


Octal buffer/line driver with 5 V tolerant inputs/outputs (3-state)

74LVC541A

SSOP20: plastic shrink small outline package; 20 leads; body width 5.3 mm

SOT339-1



**DIMENSIONS (mm are the original dimensions)**

UNIT	A max.	A <sub>1</sub>	A <sub>2</sub>	A <sub>3</sub>	b <sub>p</sub>	c	D <sup>(1)</sup>	E <sup>(1)</sup>	e	H <sub>E</sub>	L	L <sub>p</sub>	Q	v	w	y	Z <sup>(1)</sup>	θ
mm	2	0.21 0.05	1.80 1.65	0.25	0.38 0.25	0.20 0.09	7.4 7.0	5.4 5.2	0.65	7.9 7.6	1.25	1.03 0.63	0.9 0.7	0.2	0.13	0.1	0.9 0.5	8° 0°

**Note**

1. Plastic or metal protrusions of 0.2 mm maximum per side are not included.

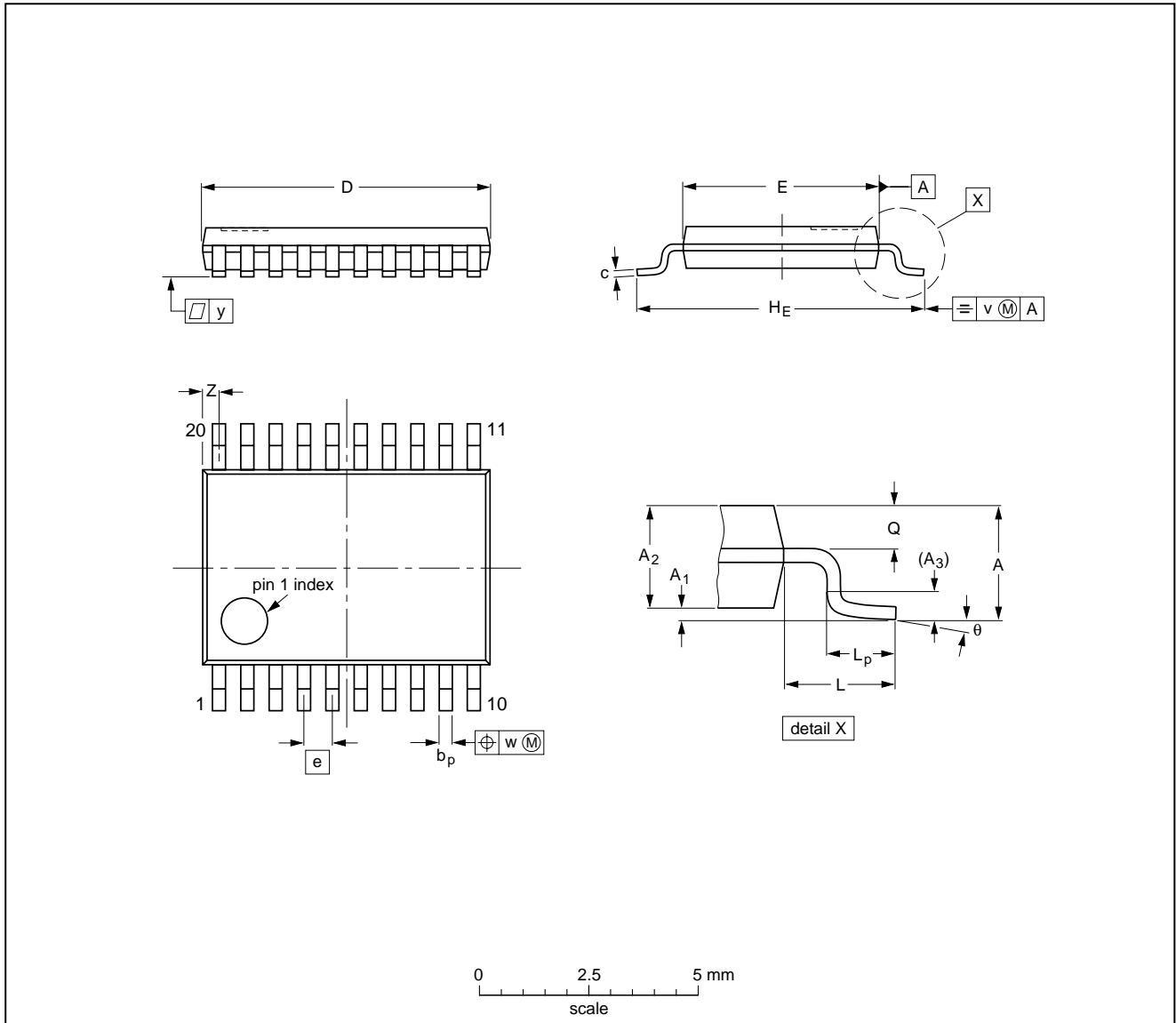
OUTLINE VERSION	REFERENCES			EUROPEAN PROJECTION	ISSUE DATE
	IEC	JEDEC	JEITA		
SOT339-1		MO-150			99-12-27 03-02-19

Octal buffer/line driver with 5 V tolerant inputs/outputs (3-state)

74LVC541A

TSSOP20: plastic thin shrink small outline package; 20 leads; body width 4.4 mm

SOT360-1



DIMENSIONS (mm are the original dimensions)

UNIT	A max.	A <sub>1</sub>	A <sub>2</sub>	A <sub>3</sub>	b <sub>p</sub>	c	D <sup>(1)</sup>	E <sup>(2)</sup>	e	H <sub>E</sub>	L	L <sub>p</sub>	Q	v	w	y	z <sup>(1)</sup>	θ
mm	1.1	0.15 0.05	0.95 0.80	0.25	0.30 0.19	0.2 0.1	6.6 6.4	4.5 4.3	0.65	6.6 6.2	1	0.75 0.50	0.4 0.3	0.2	0.13	0.1	0.5 0.2	8° 0°

Notes

1. Plastic or metal protrusions of 0.15 mm maximum per side are not included.
2. Plastic interlead protrusions of 0.25 mm maximum per side are not included.

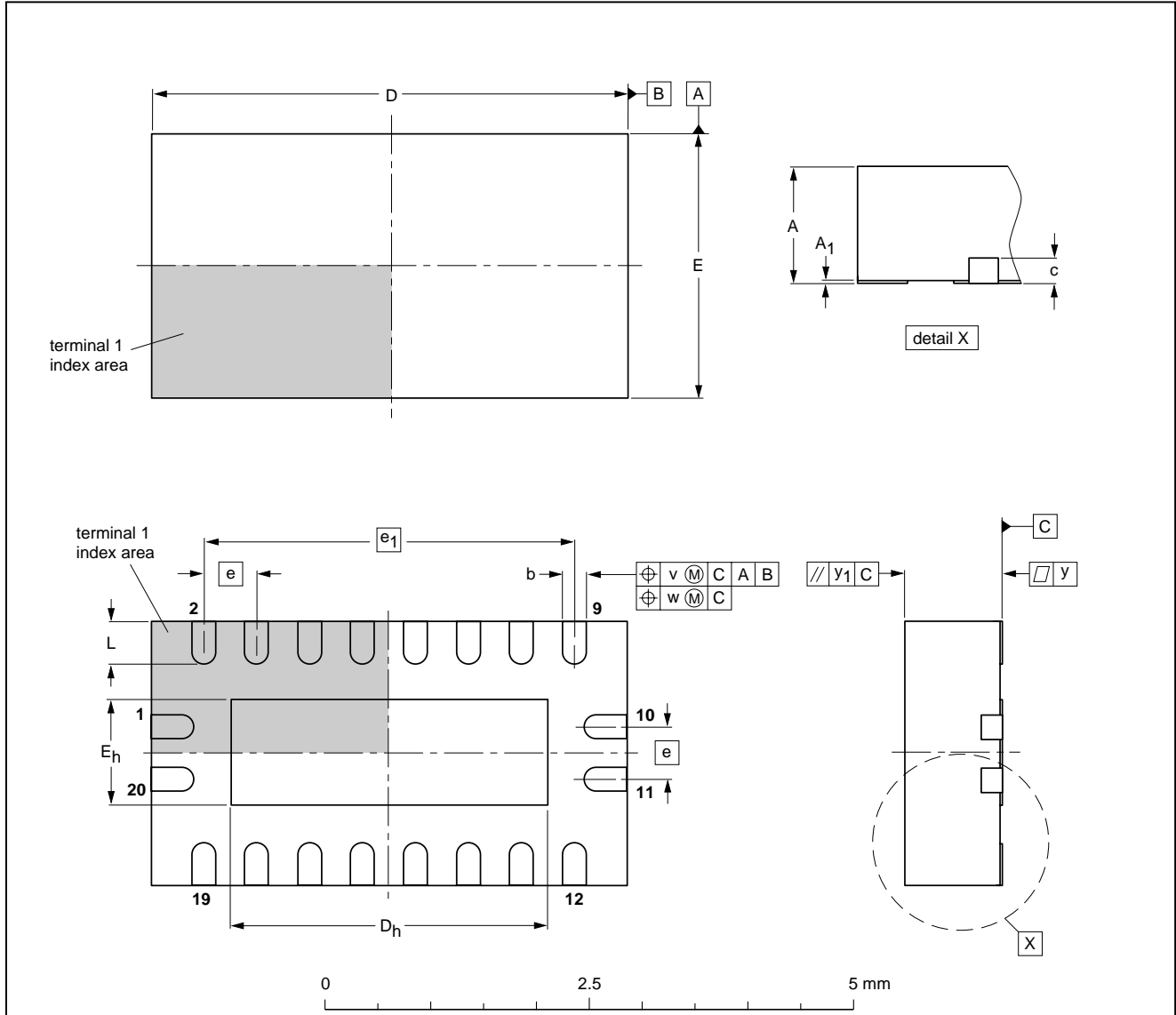
OUTLINE VERSION	REFERENCES			EUROPEAN PROJECTION	ISSUE DATE
	IEC	JEDEC	JEITA		
SOT360-1		MO-153			99-12-27 03-02-19

# Octal buffer/line driver with 5 V tolerant inputs/outputs (3-state)

74LVC541A

**DHVQFN20: plastic dual in-line compatible thermal enhanced very thin quad flat package; no leads; 20 terminals; body 2.5 x 4.5 x 0.85 mm**

**SOT764-1**



**DIMENSIONS (mm are the original dimensions)**

UNIT	A <sup>(1)</sup> max.	A <sub>1</sub>	b	c	D <sup>(1)</sup>	D <sub>h</sub>	E <sup>(1)</sup>	E <sub>h</sub>	e	e <sub>1</sub>	L	v	w	y	y <sub>1</sub>
mm	1	0.05 0.00	0.30 0.18	0.2	4.6 4.4	3.15 2.85	2.6 2.4	1.15 0.85	0.5	3.5	0.5 0.3	0.1	0.05	0.05	0.1

**Note**

1. Plastic or metal protrusions of 0.075 mm maximum per side are not included.

OUTLINE VERSION	REFERENCES			EUROPEAN PROJECTION	ISSUE DATE
	IEC	JEDEC	JEITA		
SOT764-1	---	MO-241	---		02-10-17 03-01-27

# Octal buffer/line driver with 5 V tolerant inputs/outputs (3-state)

74LVC541A

## DATA SHEET STATUS

LEVEL	DATA SHEET STATUS <sup>(1)</sup>	PRODUCT STATUS <sup>(2)(3)</sup>	DEFINITION
I	Objective data	Development	This data sheet contains data from the objective specification for product development. Philips Semiconductors reserves the right to change the specification in any manner without notice.
II	Preliminary data	Qualification	This data sheet contains data from the preliminary specification. Supplementary data will be published at a later date. Philips Semiconductors reserves the right to change the specification without notice, in order to improve the design and supply the best possible product.
III	Product data	Production	This data sheet contains data from the product specification. Philips Semiconductors reserves the right to make changes at any time in order to improve the design, manufacturing and supply. Relevant changes will be communicated via a Customer Product/Process Change Notification (CPCN).

### Notes

1. Please consult the most recently issued data sheet before initiating or completing a design.
2. The product status of the device(s) described in this data sheet may have changed since this data sheet was published. The latest information is available on the Internet at URL <http://www.semiconductors.philips.com>.
3. For data sheets describing multiple type numbers, the highest-level product status determines the data sheet status.

### DEFINITIONS

**Short-form specification** — The data in a short-form specification is extracted from a full data sheet with the same type number and title. For detailed information see the relevant data sheet or data handbook.

**Limiting values definition** — Limiting values given are in accordance with the Absolute Maximum Rating System (IEC 60134). Stress above one or more of the limiting values may cause permanent damage to the device. These are stress ratings only and operation of the device at these or at any other conditions above those given in the Characteristics sections of the specification is not implied. Exposure to limiting values for extended periods may affect device reliability.

**Application information** — Applications that are described herein for any of these products are for illustrative purposes only. Philips Semiconductors make no representation or warranty that such applications will be suitable for the specified use without further testing or modification.

### DISCLAIMERS

**Life support applications** — These products are not designed for use in life support appliances, devices, or systems where malfunction of these products can reasonably be expected to result in personal injury. Philips Semiconductors customers using or selling these products for use in such applications do so at their own risk and agree to fully indemnify Philips Semiconductors for any damages resulting from such application.

**Right to make changes** — Philips Semiconductors reserves the right to make changes in the products - including circuits, standard cells, and/or software - described or contained herein in order to improve design and/or performance. When the product is in full production (status 'Production'), relevant changes will be communicated via a Customer Product/Process Change Notification (CPCN). Philips Semiconductors assumes no responsibility or liability for the use of any of these products, conveys no licence or title under any patent, copyright, or mask work right to these products, and makes no representations or warranties that these products are free from patent, copyright, or mask work right infringement, unless otherwise specified.



# ***Philips Semiconductors – a worldwide company***

## **Contact information**

For additional information please visit <http://www.semiconductors.philips.com>. Fax: +31 40 27 24825

For sales offices addresses send e-mail to: [sales.addresses@www.semiconductors.philips.com](mailto:sales.addresses@www.semiconductors.philips.com).

© Koninklijke Philips Electronics N.V. 2003

SCA75

All rights are reserved. Reproduction in whole or in part is prohibited without the prior written consent of the copyright owner.

The information presented in this document does not form part of any quotation or contract, is believed to be accurate and reliable and may be changed without notice. No liability will be accepted by the publisher for any consequence of its use. Publication thereof does not convey nor imply any license under patent- or other industrial or intellectual property rights.

Printed in The Netherlands

R20/03/pp17

Date of release: 2003 Nov 12

Document order number: 9397 750 12259

*Let's make things better.*

**Philips  
Semiconductors**



**PHILIPS**