

LM 101A, 201A, 301A, General Purpose Operational Amplifiers

GENERAL DESCRIPTION

The 101A and 301A are General Purpose monolithic Operational Amplifiers constructed using the Fairchild Planar epitaxial process. These integrated circuits are intended for applications requiring low input offset voltage or low input offset current. The accuracy of long interval integrators, timers and sample and hold circuits is improved due to the low drift and low bias currents of the 101A and 301A. Frequency response may be matched to the individual circuit need with one external capacitor. The absence of "latch-up" coupled with internal short circuit protection make the 101A, 201A and 301A virtually foolproof. The 101A, 301A are pin compatible with the popular μ A709, μ A741, μ A748 and μ A777.

FEATURES

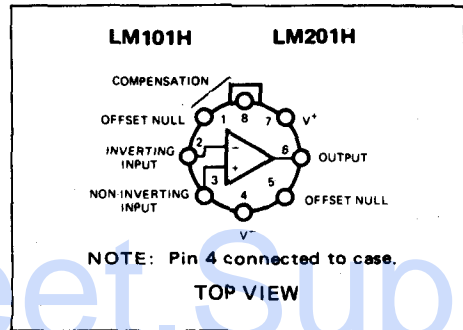
- Low offset current and voltage.
- Low offset current drift.
- Low bias current.
- Short circuit protected.
- Low power consumption.

ABSOLUTE MAXIMUM RATINGS

Supply Voltage	
Military (101A)	$\pm 22V$
Commercial (301A)	$\pm 18V$
Internal Power Dissipation	
Metal Can	500 mW
DIP	670 mW
Mini DIP	310 mW
Differential Input Voltage	$\pm 30V$
Input Voltage	$\pm 15V$
Storage Temperature Range	
Metal Can, DIP	-65°C to +150°C
Mini DIP	-55°C to +125°C
Operating Temperature Range	
Military (101A)	-55°C to +125°C
Commercial (301A)	0°C to +70°C
Lead Temperature (Soldering)	
Metal Can, DIP (60 seconds)	300°C
Mini DIP (10 seconds)	260°C
Output Short Circuit Duration	Indefinite
REFERENCE TABLE	
Code	Stock No.
LM101AD	35800B
LM101AH	35801X
LM301AH	35802R
LM301AN	35803G

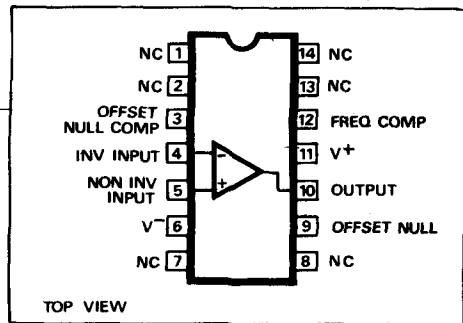
CONNECTION DIAGRAM

See outline drawing No 97 for dimensions.



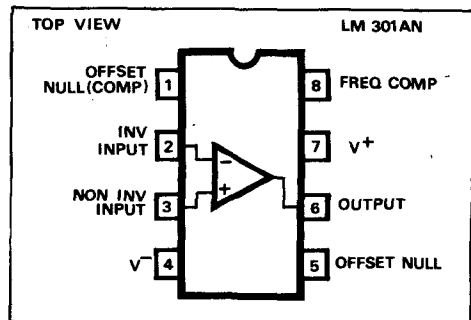
CONNECTION DIAGRAM

See outline drawing No 131 for dimensions.



CONNECTION DIAGRAM

See outline drawing No 132 for dimensions.



MANUFACTURER'S CURRENT LIST PRICES ARE ALWAYS CHARGED

LM301A Series Operational Amplifiers

REFERENCE TABLE

Code	Stock No.
LM301AH	19661C
LM301AN	19752H

GENERAL DESCRIPTION

The LM301A is a general-purpose operational amplifier which features improved performance over the 709C and other popular amplifiers. Advanced processing techniques make possible an order of magnitude reduction in input currents, and a redesign of the biasing circuitry reduces the temperature drift of input current.

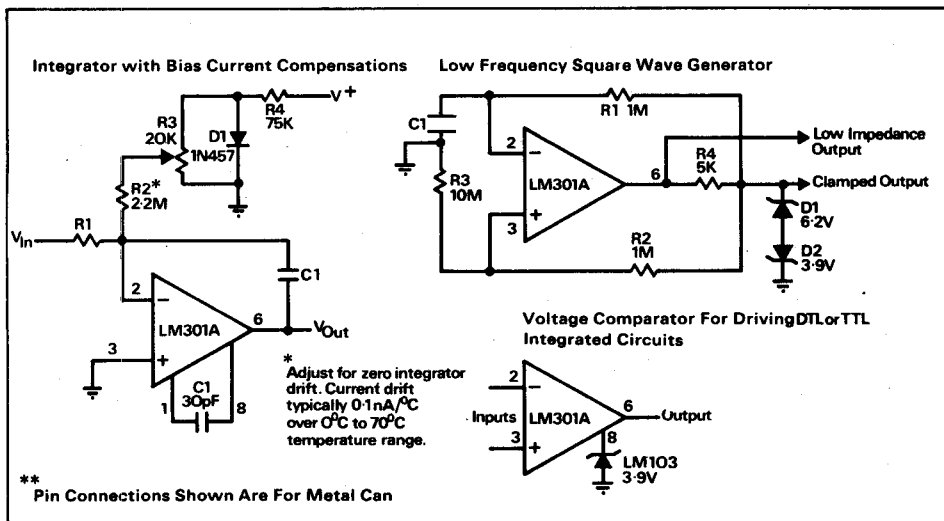
This amplifier offers many features which make its application nearly foolproof: overload protection on the input and output, no latch-up when the common mode range is exceeded, freedom from oscillations and compensation with a single 30pF capacitor. It has advantages over internally compensated amplifiers in that the compensation can be tailored to the particular application. For example, as a summing amplifier, slew rates of 10 V/μs and bandwidths of 10 MHz can be realized. In addition, the circuit can be used as a comparator with differential inputs up to ±30V; and the output can be clamped at any desired level

ABSOLUTE MAXIMUM RATINGS

Supply Voltage	±18V
Power Dissipation (Note 1)	500mW
Differential Input Voltage	±30V
Input Voltage (Note 2)	±15V
Output Short-Circuit Duration (Note 3)	Indefinite
Operating Temperature Range	0°C to 70°C
Storage Temperature Range	-65°C to 150°C
Lead Temperature (Soldering, 60 sec)	300°C

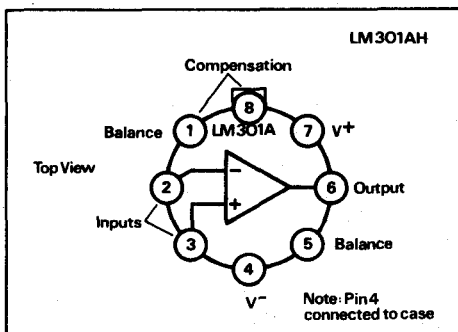
7

TYPICAL APPLICATIONS* *

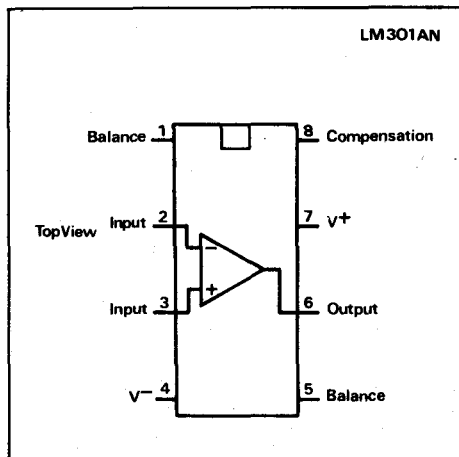


PLEASE QUOTE STOCK NO. AND MANUFACTURER'S CODE WHEN ORDERING

CONNECTION DIAGRAMS



See outline drawing No. 97 for dimensions.



See outline drawing No. 103 for dimensions.

ELECTRICAL CHARACTERISTICS (Note 4)

Parameter	Conditions	Min.	Typ.	Max.	Units
Input Offset Voltage	$T_A = 25^\circ\text{C}$, $R_S \leq 50\text{ k}\Omega$		2.0	7.5	mV
Input Offset Current	$T_A = 25^\circ\text{C}$		3	50	nA
Input Bias Current	$T_A = 25^\circ\text{C}$		70	250	nA
Input Resistance	$T_A = 25^\circ\text{C}$	0.5	2		M Ω
Supply Current	$T_A = 25^\circ\text{C}$, $V_S = \pm 15\text{V}$		1.8	3.0	mA
Large Signal Voltage Gain	$T_A = 25^\circ\text{C}$, $V_S = \pm 15\text{V}$ $V_{OUT} = \pm 10\text{V}$, $R_L \geq 2\text{ k}\Omega$	25	160		V/mV
Input Offset Voltage	$R_S \leq 50\text{ k}\Omega$			10	mV
Average Temperature Coefficient of Input Offset Voltage			6.0	30	$\mu\text{V}/^\circ\text{C}$
Input Offset Current				70	nA
Average Temperature Coefficient of Input Offset Current	$25^\circ\text{C} \leq T_A \leq 70^\circ\text{C}$ $0^\circ\text{C} \leq T_A \leq 25^\circ\text{C}$		0.01 0.02	0.3 0.6	nA/ $^\circ\text{C}$ nA/ $^\circ\text{C}$
Input Bias Current				300	nA
Large Signal Voltage Gain	$V_S = \pm 15\text{V}$, $V_{OUT} = \pm 10\text{V}$ $R_L \geq 2\text{ k}\Omega$	15			V/mV
Output Voltage Swing	$V_S = \pm 15\text{V}$, $R_L = 10\text{ k}\Omega$ $R_L = 2\text{ k}\Omega$	± 12 ± 10	± 14 ± 13		V V
Input Voltage Range	$V_S = \pm 15\text{V}$	± 12			V
Common Mode Rejection Ratio	$R_S \leq 50\text{ k}\Omega$	70	90		dB
Supply Voltage Rejection Ratio	$R_S \leq 50\text{ k}\Omega$	70	96		dB

Note 1: For operating at elevated temperatures, the device must be derated based on a 100°C maximum junction temperature and a thermal resistance of 150°C/W junction to ambient or 45°C/W junction to case.

Note 2: For supply voltages less than $\pm 15\text{V}$, the absolute maximum input voltage is equal to the supply voltage.

Note 3: Continuous short circuit is allowed for case temperatures to 70°C and ambient temperatures to 55°C.

Note 4: These specifications apply for $0^\circ\text{C} \leq T_A \leq 70^\circ\text{C}$, $\pm 5\text{V} \leq V_S \leq \pm 15\text{V}$ and C_1 30pF unless otherwise specified.

MANUFACTURER'S CURRENT LIST PRICES ARE ALWAYS CHARGED