

TO-92



**Pin Definition:**

1. Source
2. Gate
3. Drain

**PRODUCT SUMMARY**

$V_{DS}$ (V)	$R_{DS(on)}$ ( $\Omega$ )	$I_D$ (mA)
60	5 @ $V_{GS} = 10V$	100
	5.5 @ $V_{GS} = 5V$	100

**Features**

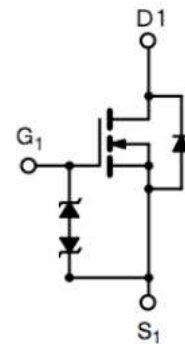
- Low On-Resistance
- ESD Protection
- High Speed Switching
- Low Voltage Drive

**Ordering Information**

Part No.	Package	Packing
TSM2N7000KCT B0G	TO-92	1Kpcs / Bulk
TSM2N7000KCT A3G	TO-92	2Kpcs / Ammo

**Note:** "G" denotes for Halogen Free

**Block Diagram**



N-Channel MOSFET

**Absolute Maximum Rating** ( $T_a = 25^\circ C$  unless otherwise noted)

Parameter	Symbol	Limit	Unit	
Drain-Source Voltage	$V_{DS}$	60	V	
Gate-Source Voltage	$V_{GS}$	$\pm 20$	V	
Drain Current	Continuous @ $T_A=25^\circ C$	$I_D$	300	mA
	Pulsed	$I_{DM}$	700	
Drain Reverse Current	Continuous @ $T_A=25^\circ C$	$I_{DR}$	300	mA
	Pulsed	$I_{DMR}$	700	
Maximum Power Dissipation	$P_D$	400	mW	
Operating Junction Temperature	$T_J$	+150	$^\circ C$	
Operating Junction and Storage Temperature Range	$T_J, T_{STG}$	-55 to +150	$^\circ C$	

**Thermal Performance**

Parameter	Symbol	Limit	Unit
Lead Temperature (1/8" from case)	$T_L$	10	S
Junction to Ambient Thermal Resistance (PCB mounted)	$R\theta_{JA}$	357	$^\circ C/W$

**Notes:**

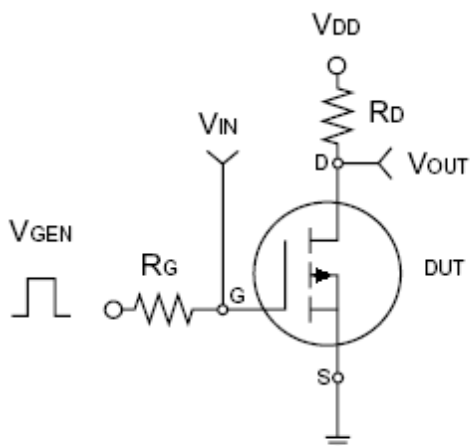
- a. Pulse width limited by the Maximum junction temperature
- b. Surface Mounted on FR4 Board,  $t \leq 5$  sec.

### Electrical Specifications (Ta = 25°C, unless otherwise noted)

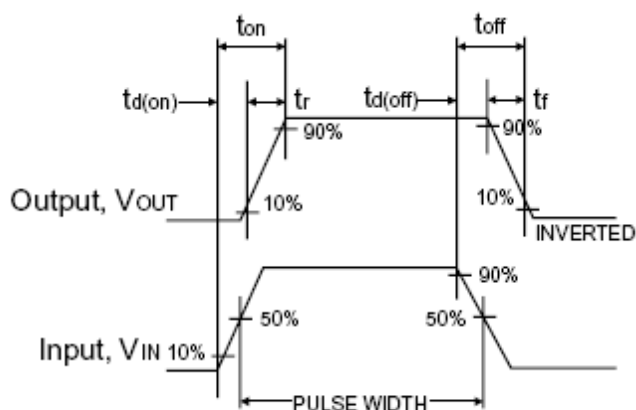
Parameter	Conditions	Symbol	Min	Typ	Max	Unit
<b>Static</b>						
Drain-Source Breakdown Voltage	$V_{GS} = 0V, I_D = 10\mu A$	$BV_{DSS}$	60	--	--	V
Gate Threshold Voltage	$V_{DS} = V_{GS}, I_D = 250\mu A$	$V_{GS(TH)}$	1.0	--	2.5	V
Gate Body Leakage	$V_{GS} = \pm 20V, V_{DS} = 0V$	$I_{GSS}$	--	--	$\pm 10$	$\mu A$
Zero Gate Voltage Drain Current	$V_{DS} = 60V, V_{GS} = 0V$	$I_{DSS}$	--	--	1.0	$\mu A$
Drain-Source On-State Resistance	$V_{GS} = 10V, I_D = 100mA$	$R_{DS(ON)}$	--	3	5	$\Omega$
	$V_{GS} = 5V, I_D = 100mA$		--	3.6	5.5	
Forward Transconductance	$V_{DS} = 10V, I_D = 200mA$	$g_{fs}$	100	--	--	mS
Diode Forward Voltage	$I_S = 300mA, V_{GS} = 0V$	$V_{SD}$	--	0.9	1.2	V
<b>Dynamic<sup>b</sup></b>						
Total Gate Charge	$V_{DS} = 10V, I_D = 250mA,$ $V_{GS} = 4.5V$	$Q_g$	--	0.4	--	nC
Input Capacitance	$V_{DS} = 25V, V_{GS} = 0V,$ $f = 1.0MHz$	$C_{iss}$	--	7.32	--	pF
Output Capacitance		$C_{oss}$	--	3.42	--	
Reverse Transfer Capacitance		$C_{rss}$	--	7.63	--	
<b>Switching<sup>c</sup></b>						
Turn-On Delay Time	$V_{DD} = 30V, R_G = 10\Omega$	$t_{d(on)}$	--	25	--	nS
Turn-Off Delay Time	$I_D = 100mA, V_{GEN} = 10V,$	$t_{d(off)}$	--	35	--	

#### Notes:

- a. pulse test:  $PW \leq 300\mu S$ , duty cycle  $\leq 2\%$
- b. For DESIGN AID ONLY, not subject to production testing.
- b. Switching time is essentially independent of operating temperature.



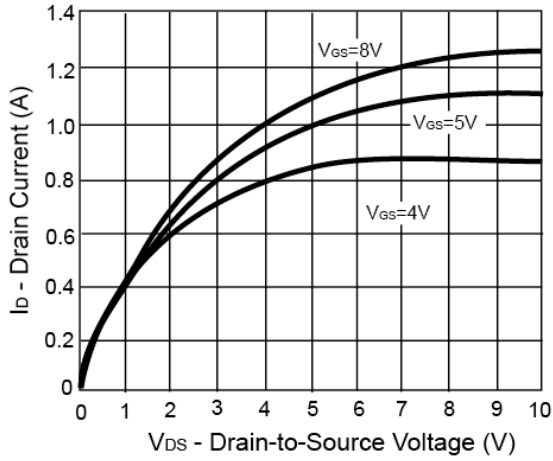
Switching Test Circuit



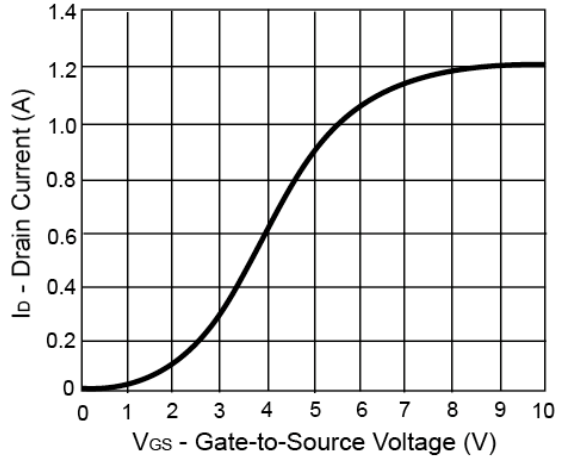
Switchin Waveforms

**Electrical Characteristics Curve** (Ta = 25°C, unless otherwise noted)

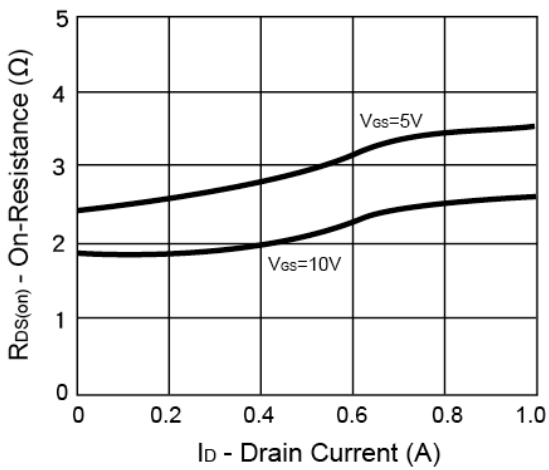
**Output Characteristics**



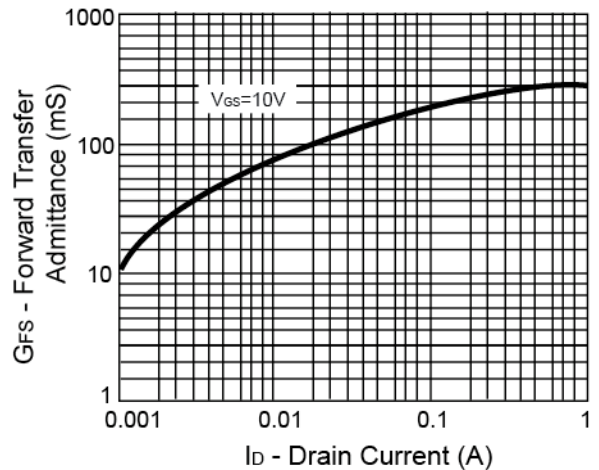
**Transfer Characteristics**



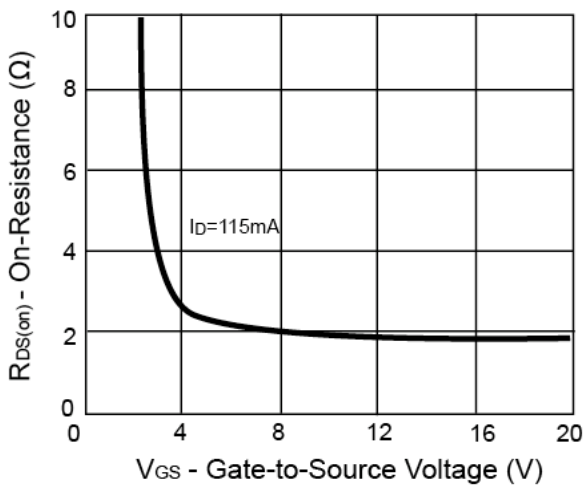
**On-Resistance vs. Drain Current**



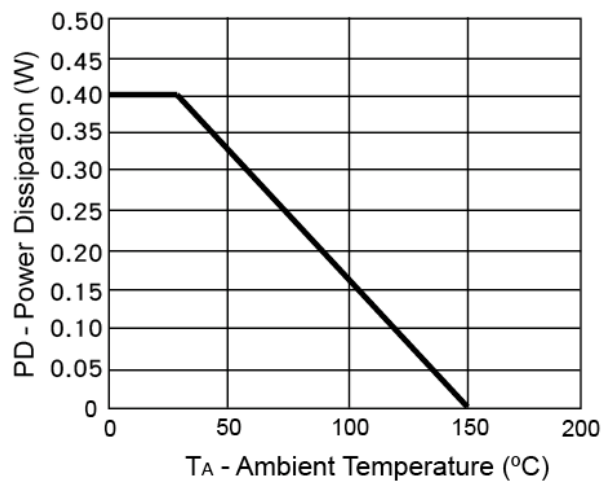
**Forward Transfer Admittance vs. Drain Current**



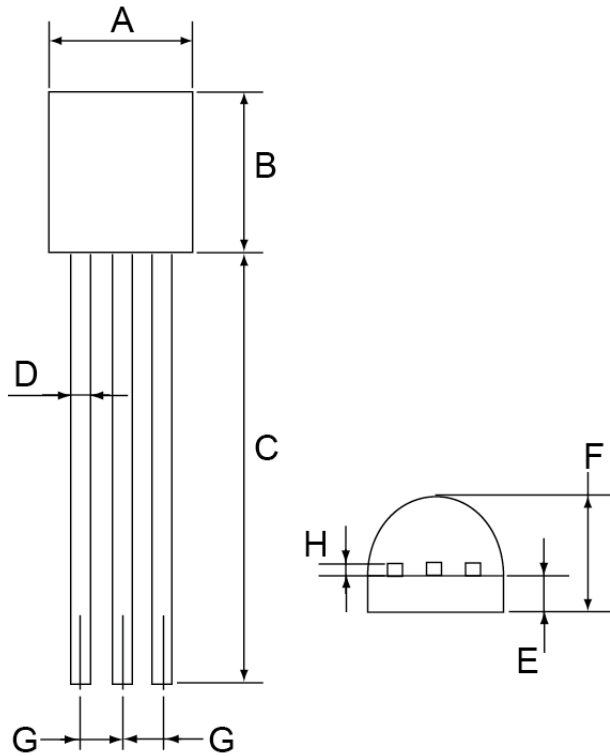
**On-Resistance vs. Gate-Source Voltage**



**Power Derating Curve**

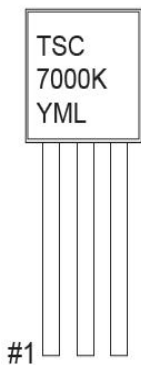


**TO-92 Mechanical Drawing**



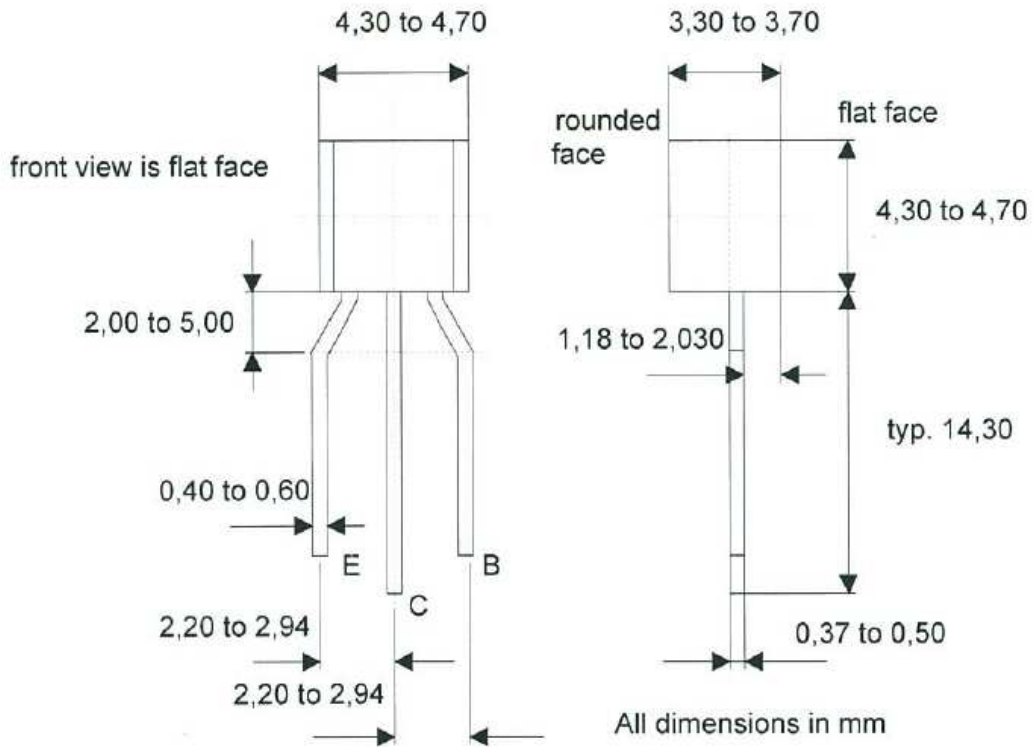
TO-92 DIMENSION				
DIM	MILLIMETERS		INCHES	
	MIN	MAX	MIN	MAX
A	4.30	4.70	0.169	0.185
B	4.30	4.70	0.169	0.185
C	13.53 (typ)		0.532 (typ)	
D	0.39	0.49	0.015	0.019
E	1.18	1.28	0.046	0.050
F	3.30	3.70	0.130	0.146
G	1.27	1.31	0.050	0.051
H	0.33	0.43	0.013	0.017

**Marking Diagram**



- Y** = Year Code
- M** = Month Code for Halogen Free Product
  - O** =Jan    **P** =Feb    **Q** =Mar    **R** =Apr
  - S** =May    **T** =Jun    **U** =Jul    **V** =Aug
  - W** =Sep    **X** =Oct    **Y** =Nov    **Z** =Dec
- L** = Lot Code

**TO-92 Ammo Pack Mechanical Drawing**



## Notice

Specifications of the products displayed herein are subject to change without notice. TSC or anyone on its behalf, assumes no responsibility or liability for any errors or inaccuracies.

Information contained herein is intended to provide a product description only. No license, express or implied, to any intellectual property rights is granted by this document. Except as provided in TSC's terms and conditions of sale for such products, TSC assumes no liability whatsoever, and disclaims any express or implied warranty, relating to sale and/or use of TSC products including liability or warranties relating to fitness for a particular purpose, merchantability, or infringement of any patent, copyright, or other intellectual property right.

The products shown herein are not designed for use in medical, life-saving, or life-sustaining applications. Customers using or selling these products for use in such applications do so at their own risk and agree to fully indemnify TSC for any damages resulting from such improper use or sale.