

LT1086CT-XX

1 - COMMON
2 - OUTPUT
3 - INPUT
TAB IS OUTPUT

LT1086CT (ADJ)

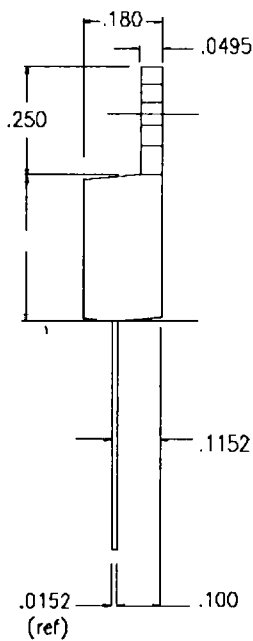
1 - ADJUST
2 - OUTPUT
3 - INPUT
TAB IS OUTPUT

LT1085CT-XX

1 - COMMON
2 - OUTPUT
3 - INPUT
TAB IS OUTPUT

LT1085CT (ADJ)

1 - ADJUST
2 - OUTPUT
3 - INPUT
TAB IS OUTPUT



LT1084CT-XX

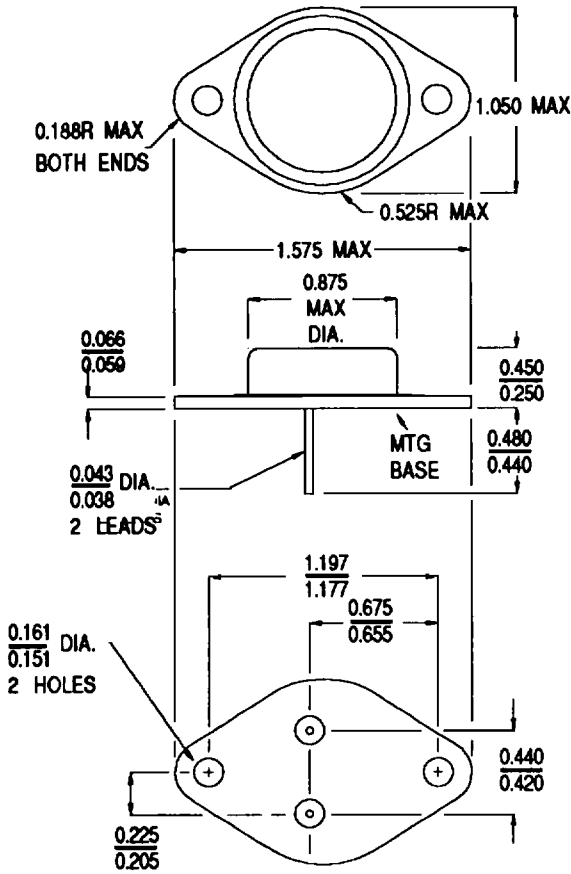
1 - COMMON
2 - OUTPUT
3 - INPUT
TAB IS OUTPUT

LT1084CT (ADJ)

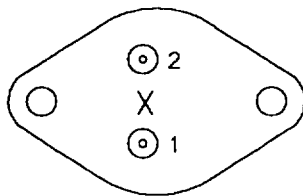
1 - ADJUST
2 - OUTPUT
3 - INPUT
TAB IS OUTPUT

NOTE: Case temperature measured at point X.
All dimensions are in inches.

TO-220



Bottom View



TO-3

**LT1086CK-XX
LT1086MK-XX**

1 - COMMON
2 - INPUT
CASE IS OUTPUT

**LT1086 (ADJ)
LT1086MK,CK**

1 - ADJUST
2 - INPUT
CASE IS OUTPUT

**LT1085CK-XX
LT1085MK-XX**

1 - COMMON
2 - INPUT
CASE IS OUTPUT

**LT1085 (ADJ)
LT1085MK,CK**

1 - ADJUST
2 - INPUT
CASE IS OUTPUT

**LT1084CK-XX
LT1084MK-XX**

1 - COMMON
2 - INPUT
CASE IS OUTPUT

**LT1084 (ADJ)
LT1084MK,CK**

1 - ADJUST
2 - INPUT
CASE IS OUTPUT

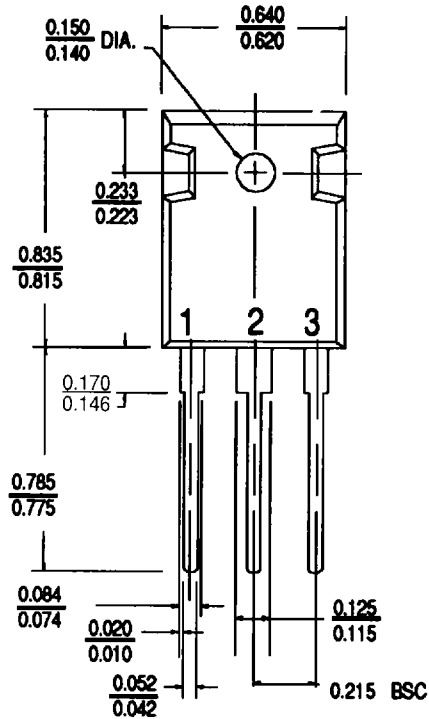
**LT1083CK-XX
LT1083MK-XX**

1 - COMMON
2 - INPUT
CASE IS OUTPUT

**LT1083 (ADJ)
LT1083MK,CK**

1 - ADJUST
2 - INPUT
CASE IS OUTPUT

NOTE: Case temperature measured at point X.
All dimensions are in inches.

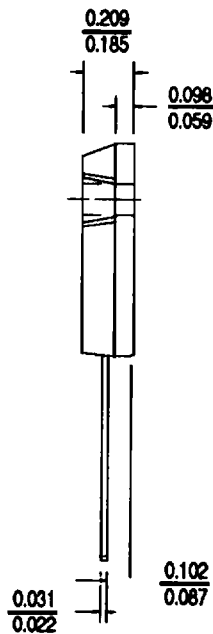


LT1084CPXX

- 1 - COMMON
- 2 - OUTPUT
- 3 - INPUT
- TAB IS OUTPUT

LT1084CP(ADJ)

- 1 - ADJUST
- 2 - OUTPUT
- 3 - INPUT
- TAB IS OUTPUT



LT1083CPXX

- 1 - COMMON
- 2 - OUTPUT
- 3 - INPUT
- TAB IS OUTPUT

LT1083CP(ADJ)

- 1 - ADJUST
- 2 - OUTPUT
- 3 - INPUT
- TAB IS OUTPUT

TO-247