

MIL & COMMERCIAL MINIATURE TOGGLE

POSITIVE ACTION NON TEASIBLE TOGGLE

The TE series is a Mil Qualified, snap action, non-teasible, positive-make and break, panel mount toggle switch.

The non-teasible mechanism assures that the switch will actuate and not “hang-up” even when actuated very slowly. A Fluorosilicone O-ring seals the contact area from contaminants such as dust, moisture and sand. All metal components are corrosion resistant and designed to exceed all military requirements.

This environmentally sealed switch is available in single and double pole configurations with 15/32 or 1/4-40 bushings. The TE Series is ideal in applications for dry circuit, low level and power switching applications.



1/4-40 Bushing Style



15/32-32 Bushing Style

Quality Features:

- Positive action miniature toggle
- Wiping action contacts
- Momentary and maintained toggle action
- Panel mount
- Solder Lug termination
- Single and Double Pole
- Sealed per MIL- DTL - 8834
- Mil qualified: MS90310-211/221/231/271/311
MS90311-211/221/231/271/311
MS24655-211/221/231/271/311
MS24656-211/221/231/271/311

Standard Characteristics/Ratings:

OPERATIONAL:

Mechanical Life: 40,000 cycles

Electrical Life: 20,000 cycles

Temperature Range: -55°C to + 71°C

Material:

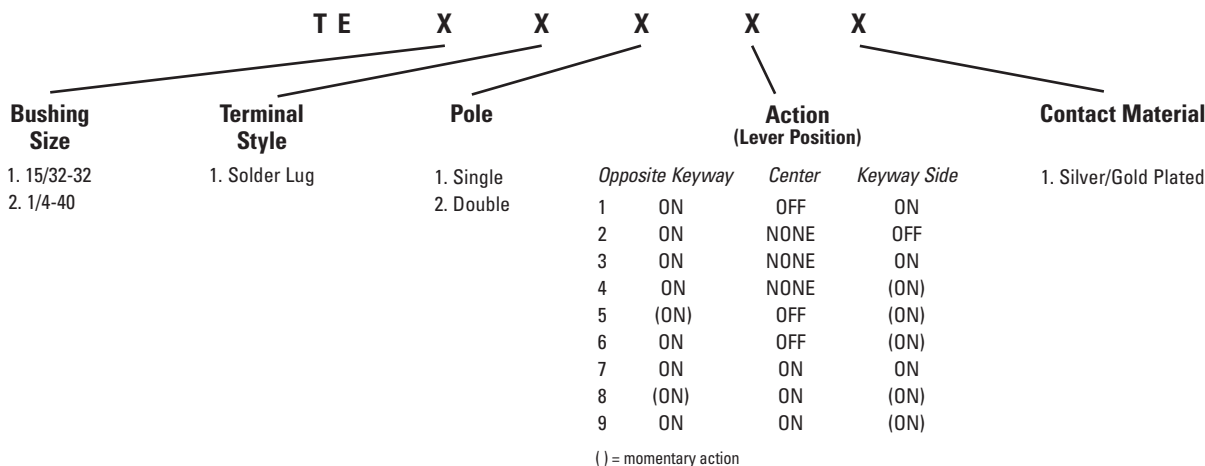
Lever: Stainless Steel
Bushing: Aluminum (15/32) Stainless Steel (1/4-40)
Cover: Stainless Steel

Seal: MIL-DTL-8834

ELECTRICAL:

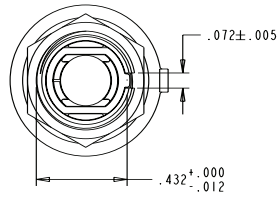
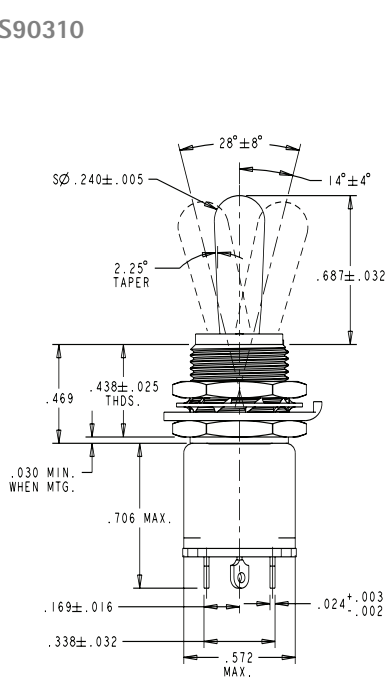
	28 VDC	115 VAC AT 60 HERTZ	115 VAC AT 400 HERTZ	LOW LEVEL 5 mV
RESISTIVE	5 AMPS	2 AMPS	3 AMPS	25 μAMPS
INDUCTIVE	1 AMP	1 AMP	2 AMPS	25 μAMPS

TE Part Number Code

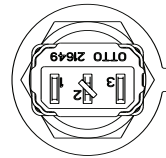
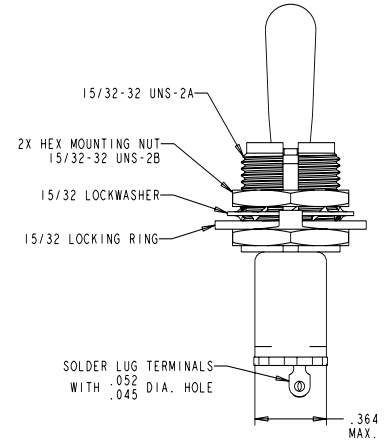


TE-111 15/32-32, SINGLE POLE

MS90310

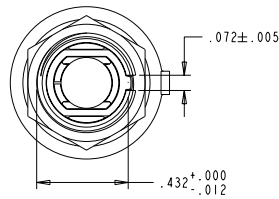
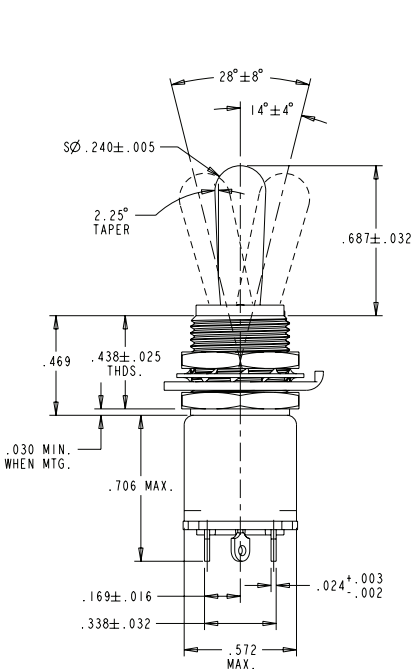


CIRCUITS MADE WITH LEVER IN THESE POSITIONS:				
OPPOSITE KEYWAY	CENTER	KEYWAY		MS DASH NUMBER
1 ON 2-3	OFF	ON 1-2		-211
2 ON 2-3	NONE	OFF		-221
3 ON 2-3	NONE	ON 1-2		-231
5 MOM ON 2-3	OFF	MOM ON 1-2		N/A
6 ON 2-3	OFF	MOM ON 1-2		N/A

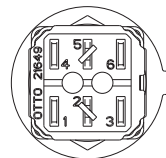
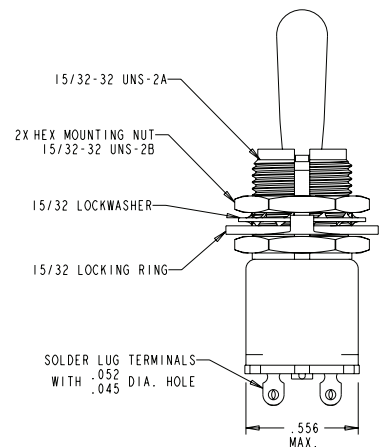


TE-112 15/32-32, DOUBLE POLE

MS90311

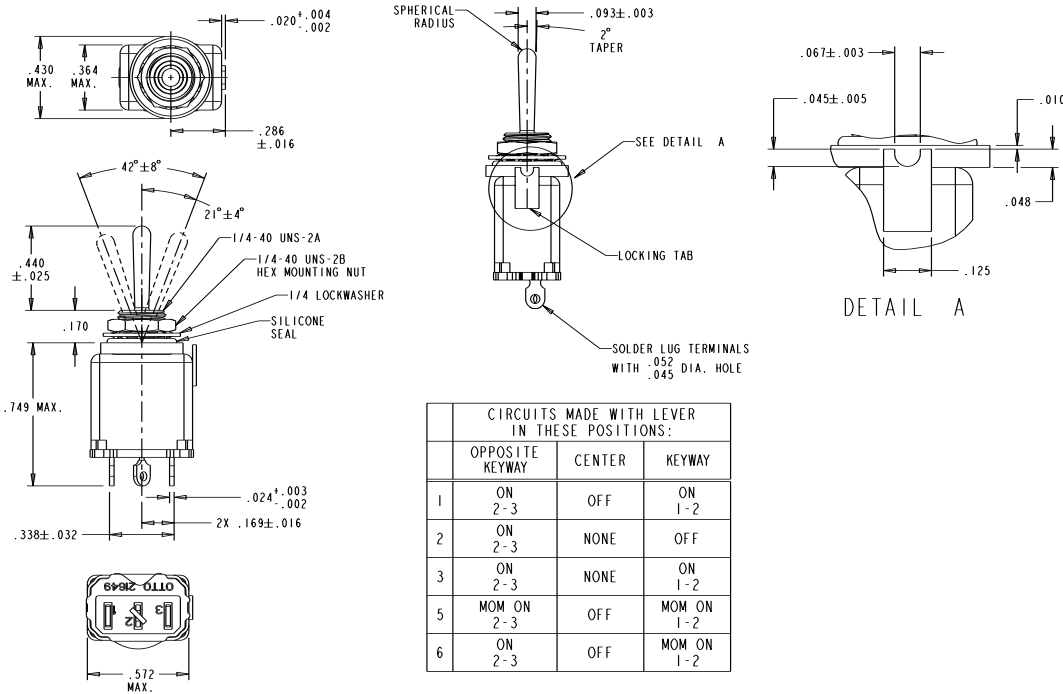


CIRCUITS MADE WITH LEVER IN THESE POSITIONS:				
OPPOSITE KEYWAY	CENTER	KEYWAY		MS DASH NUMBER
1 ON 2-3,5-6	OFF	ON 1-2,4-5		-211
2 ON 2-3,5-6	NONE	OFF		-221
3 ON 2-3,5-6	NONE	ON 1-2,4-5		-231
5 MOM ON 2-3,5-6	OFF	MOM ON 1-2,4-5		N/A
6 ON 2-3,5-6	OFF	MOM ON 1-2,4-5		N/A



MIL & COMMERCIAL MINIATURE TOGGLE

TE-211 1/4-40 BUSHING, SINGLE POLE



TE-212 1/4-40 BUSHING, DOUBLE POLE

