

SOT-23 Plastic-Encapsulate Transistors

MMBT3904LT1 TRANSISTOR (NPN)

FEATURES

Power dissipation

$$P_{CM}: 0.2 \text{ W (Tamb=25°C)}$$

Collector current

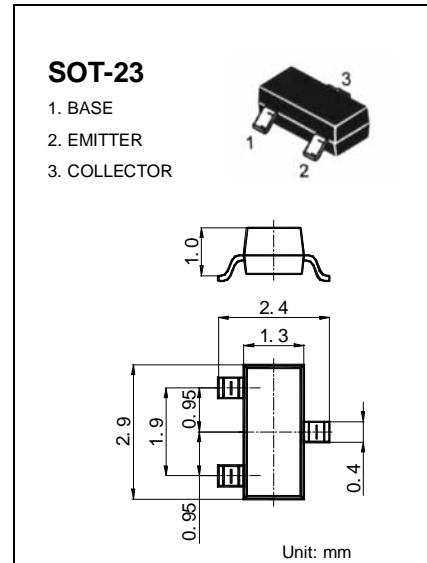
$$I_{CM}: 0.2 \text{ A}$$

Collector-base voltage

$$V_{(BR)CBO}: 60 \text{ V}$$

Operating and storage junction temperature range

$$T_J, T_{stg}: -55°C \text{ to } +150°C$$



ELECTRICAL CHARACTERISTICS (Tamb=25°C unless otherwise specified)

Parameter	Symbol	Test conditions	MIN	MAX	UNIT
Collector-base breakdown voltage	$V_{(BR)CBO}$	$I_C = 100 \mu A, I_E = 0$	60		V
Collector-emitter breakdown voltage	$V_{(BR)CEO}$	$I_C = 1 \text{ mA}, I_B = 0$	40		V
Emitter-base breakdown voltage	$V_{(BR)EBO}$	$I_E = 100 \mu A, I_C = 0$	6		V
Collector cut-off current	I_{CBO}	$V_{CB} = 60V, I_E = 0$		0.1	μA
Collector cut-off current	I_{CEO}	$V_{CE} = 40V, I_B = 0$		0.1	μA
Emitter cut-off current	I_{EBO}	$V_{EB} = 5V, I_C = 0$		0.1	μA
DC current gain	$H_{FE(1)}$	$V_{CE} = 10V, I_C = 1 \text{ mA}$	100	300	
	$H_{FE(2)}$	$V_{CE} = 1V, I_C = 50 \text{ mA}$	60		
Collector-emitter saturation voltage	$V_{CE(sat)}$	$I_C = 50 \text{ mA}, I_B = 5 \text{ mA}$		0.3	V
Base-emitter saturation voltage	$V_{BE(sat)}$	$I_C = 50 \text{ mA}, I_B = 5 \text{ mA}$		0.95	V
Transition frequency	f_T	$V_{CE} = 20V, I_C = 10 \text{ mA}$ $f = 100 \text{ MHz}$	250		MHz
Delay Time	t_d	$V_{CC} = 3.0 \text{ Vdc}, V_{BE} = -0.5 \text{ Vdc}$		35	nS
Rise Time	t_r	$I_C = 10 \text{ mA}, I_{B1} = 1.0 \text{ mA}$		35	nS
Storage Time	t_s	$V_{CC} = 3.0 \text{ Vdc}, I_C = 10 \text{ mA}$		200	nS
Fall Time	t_f	$I_{B1} = I_{B2} = 1.0 \text{ mA}$		50	nS

DEVICE MARKING

MMBT3904LT1=1AM