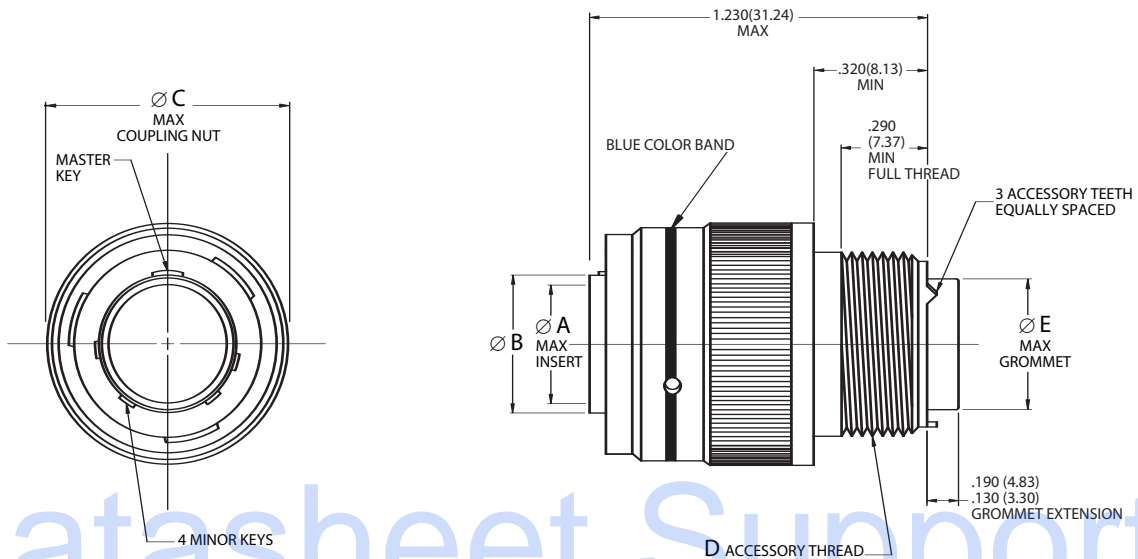


**MS3476**  
**Straight Plug**  
**AE776**



Bayonet Coupling, Crimp Removable, Rear Release



Datasheet.Support

MIL-DTL-26482 S 2

- Page 71 Completed Part Number
- Page 80 Contacts, Sealing Plugs and Tools
- Pages 84, 85 Insert Arrangements
- Page 70 Performance Specifications
- Pages 82, 83 Insert Availability and Contact Information
- Page 82 Polarization

Shell Size	Ø A		Ø B		Ø C		D	Ø E	
	Maximum		±.003	±.08	Maximum			Accessory Thread Class 2A	Maximum
	inch	mm	inch	mm	inch	mm		inch	mm
8	.285	7.24	.355	9.02	.782	19.86	1/2-20UNF	.305	7.75
10	.402	10.21	.483	12.27	.926	23.52	5/8-24UNEF	.405	10.29
12	.516	13.11	.595	15.11	1.043	26.49	3/4-20UNEF	.531	13.49
14	.641	16.28	.720	18.29	1.183	30.05	7/8-20UNEF	.665	16.89
16	.766	19.46	.845	21.46	1.305	33.15	1-20UNEF	.790	20.07
18	.855	21.72	.945	24.00	1.391	35.33	1-1/16-18UNEF	.869	22.07
20	.980	24.89	1.070	27.18	1.531	38.89	1-3/16-18UNEF	.994	25.25
22	1.105	28.07	1.195	30.35	1.656	42.06	1-5/16-18UNEF	1.119	28.42
24	1.229	31.22	1.320	33.53	1.777	45.14	1-7/16-18UNEF	1.244	31.60